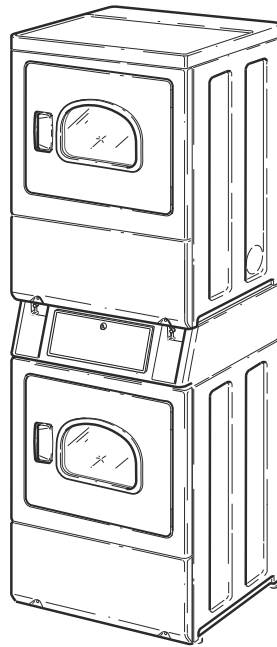


Commercial Dryers

Metered and Nonmetered
Refer to Page 3 for Model Numbers



DRY727C_515205

Table of Contents

Title	Page
Parts Ordering Information.....	2
Serial Plate Location	2
Model Identification	3
Control Panel and Controls - Nonmetered.....	4
Control and Control Panel - Coin Slide Models	6
Coin Slide Extension Kit.....	8
Control Panel and Controls.....	10
Control Cabinet Controls - Coin Drop Models.....	12
Non-Electronic Coin Drop - Coin Drop Models	14
Electronic Coin Drop - Coin Drop Models	16
Control Cabinet - Integrated Card Reader Installed and Card Ready Models	18
Cabinet Top	20
Loading Door without Window	22
Loading Door with Window	24
Access Panel, Front Panel and Seal	26
Motor, Exhaust Fan and Belt	28
Front Bulkhead, Felt Seal, Cylinder, Air Duct and Lint Filter.....	30
Rear Bulkhead, Felt Seal, Cylinder Roller and Terminal Block.....	32
Heater Duct and Element Assembly - Electric Models.....	34
Heater Duct Assembly - Gas Models.....	36
Gas Valve, Igniter and Gas Conversion Kits.....	38
Cabinet, Exhaust Duct and Base	40
Power Cord	42
Terminal Block and Terminals	44
Terminals	46
Terminals and Terminal Extractor Tools	48
Wire Harnesses and Wires - Nonmetered and Coin Slide Gas Models.....	50
Wire Harnesses and Wires - Nonmetered and Coin Slide Electric Models.....	52
Wire Harnesses and Wires - Coin Drop and Card Reader Gas Models	54
Wire Harnesses and Wires - Coin Drop and Card Reader Electric Models.....	56
Parts Index.....	59

© Copyright 2015, Alliance Laundry Systems LLC

All rights reserved. No part of the contents of this book may be reproduced or transmitted in any form or by any means without the expressed written consent of the publisher.

Parts Ordering Information

If literature or replacement parts are required, contact the source from whom the machine was purchased or contact Alliance Laundry Systems at (920) 748-3950 for the name and address of the nearest authorized parts distributor.

For technical assistance, call either of the numbers listed below:

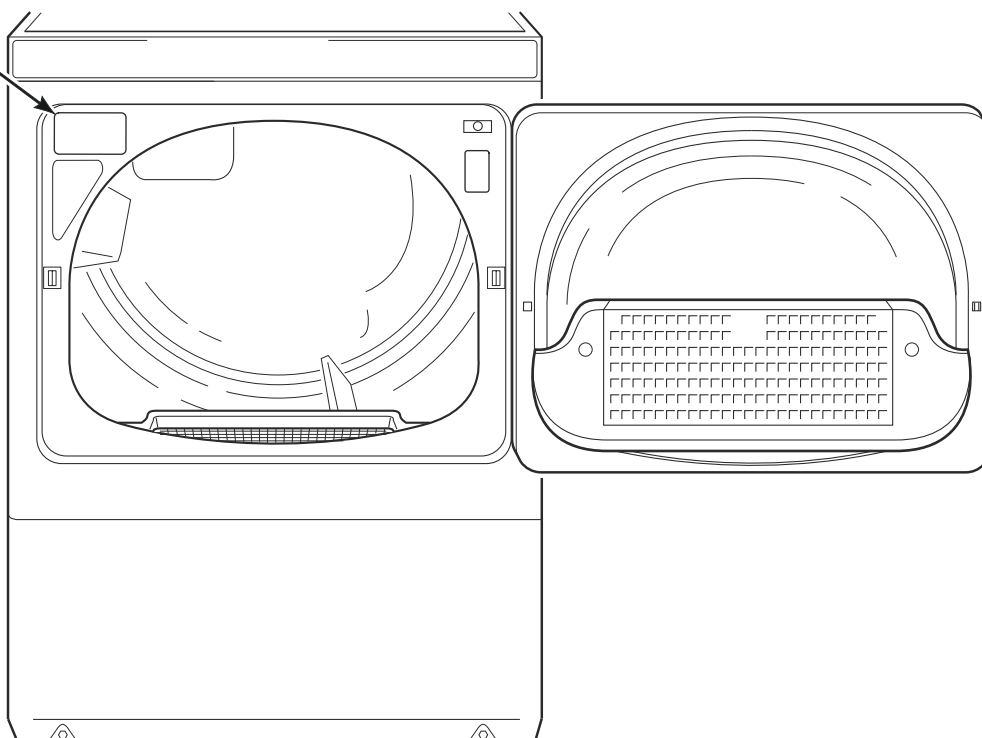
(920) 748-3121 Ripon, Wisconsin

+32 56 41 20 54 Wevelgem, Belgium

Serial Plate Location

When calling or writing about your product, be sure to mention model and serial numbers. Model and serial numbers are located on serial plate(s) as shown.

Serial Plate



DRY2283P_515205

Model Identification

Information in this manual is applicable to these dryer models:

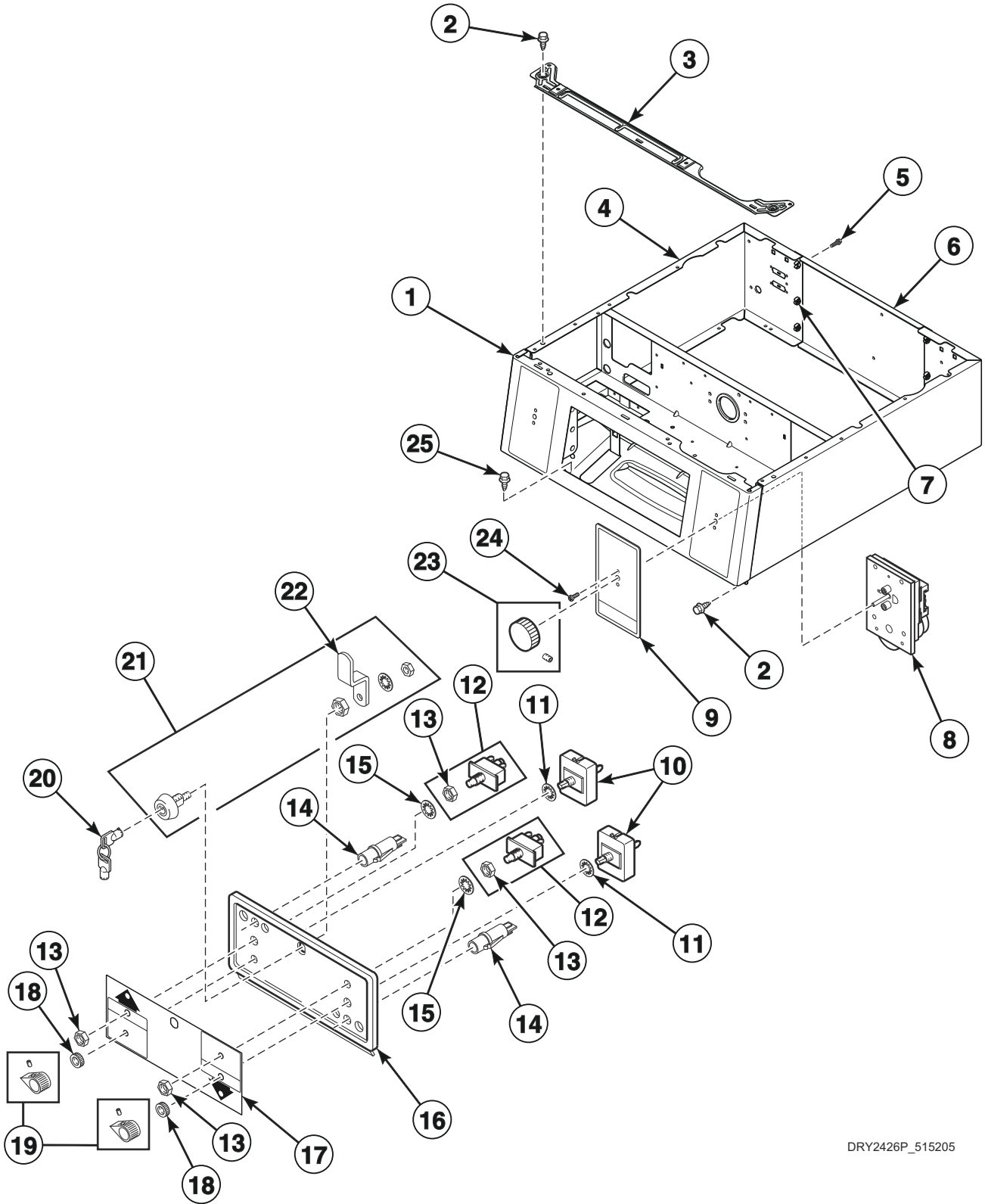
BSEBCAGS171TW01
BSEBYAGS171TW01
BSESXAGS171TW01
BSGBCAGS111TW01
BSGBYAGS111TW01
BSGSXAGS111TW01
HSEBCAGW171TW01
HSEBYAGW171TW01
HSESXAGW171TW01
HSGBCAGW111TW01
HSGBYAGW111TW01
HSGSXAGW111TW01
JSEMNA GS171TW01
JSESXAGS171TW01
JSGMNA GS111TW01
JSGSXAGS111TW01

SSEBCAGS151TW01
SSEBCAGS171TW01
SSEBCAGW151TW01
SSEBCAGW171TW01
SSEBXAGS171TW01
SSEBYAGS151TW01
SSEBYAGS171TW01
SSEBYAGW171TW01
SSEMNA GS151TW01
SSEMNA GS171TW01
SSESXAGS151TW01
SSESXAGS171TW01
SSESXAGW171TW01
SSGBCAGS111TW01
SSGBCAGW111TW01
SSGBXAGS111TW01
SSGBXAGW111TW01
SSGBYAGS111TW01
SSGBYAGW111TW01
SSGMNA GS111TW01
SSGSXAGS111TQ01
SSGSXAGS111TW01
SSGSXAGW111TW01

USEMNA GS171TW01
USGMNA GS111TW01

Control Panel and Controls - Nonmetered

Models JSEMNAGS171TW01, JSGMNAGS111TW01, SSEMNAGS151TW01, SSEMNAGS171TW01, SSGMNAGS111TW01, USEMNAGS171TW01 and USGMNAGS111TW01



DRY2426P_515205

Control Panel and Controls - Nonmetered

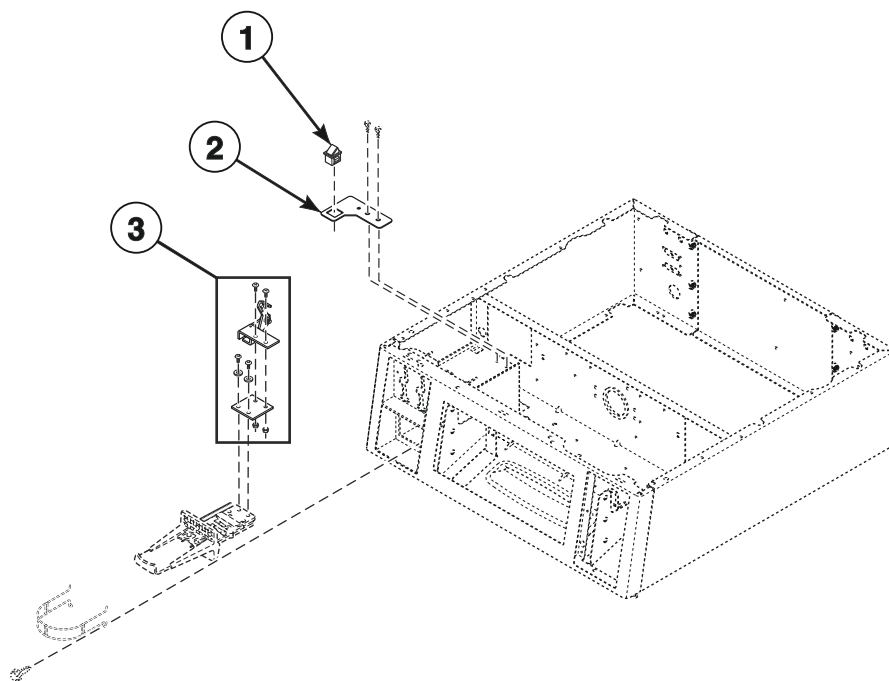
REF	PART NO.	DESCRIPTION	COMMENTS
1	514711W	Control Panel	White
2	503688	Screw	
3	804018	Shield Bracket	
4	804112W	Wrapper Assembly	White
5	70240301	Screw	6 required
6	803998	Rear Access Panel	
7	70030501	Expansion Clip	6 required
8	510524P	Timer	
9	514710	Timer Overlay	
10	61512	Fabric Selector Switch	
11	91176	Washer	
12	55882	Switch Assembly	Includes item 13
13	52947	Nut	
14	32464	Light	120 Volt
15	25820	Washer	
16	500228W	Control Panel and Bracket Assembly	White
17	514670	Overlay	Models USEMNAGS171TW01 and USGMNAGS111TW01
	515245	Overlay	Model JSEMNAGS171TW01
	514371	Overlay	Models SSEMNAGS151TW01, SSEMNAGS171TW01 and SSGMNAGS111TW01
	512678	Overlay	Model JSGMNAGS111TW01
18	24205	Nut	
19	39897	Switch Knob	
20	54612	Key	800
21	27260P	Lock Kit	Includes items 22
22	804338	Lock Cam	
23	54678	Timer Knob	
24	27328	Screw	
25	502431	Screw	

Control and Control Panel - Coin Slide Models

REF	PART NO.	DESCRIPTION	COMMENTS
	70240301	Screw	6 required; Use with item 11
	29651	Bolt	4 required; Use to attach item 13 to item 12
	44087201	Nut	4 required; Use to attach item 13 to item 12
1	513139P	Control Assembly	
2	503688	Screw	
3	804018	Shield Bracket	
4	512973	Switch	
5	804011W	Meter Case Assembly	White; Requires high capacity coin vault
	804011Q	Meter Case Assembly	Bisque; Requires high capacity coin vault
6	29651	Bolt	
7	523P3	Coin Funnel Kit	Includes items 6 and 8
8	29796	Nut	
9	201587P	Transformer	
10	803998	Rear Access Panel	
11	70030501	Expansion Clip	6 required
12	804104W	Wrapper Assembly	White
	804104Q	Wrapper Assembly	Bisque
13	514724W	Control Panel	White
	514724Q	Control Panel	Bisque
14	511711	Temperature Selector Switch	
15	91176	Washer	
16	55882	Switch Assembly	Includes item 17
17	52947	Nut	
18	25820	Washer	
19	801431	Light	
20	500228W	Control Panel and Bracket Assembly	White
	500228Q	Control Panel and Bracket Assembly	Bisque
21	515245	Overlay	Model JSEXAGS171TW01
	512678	Overlay	Model JSGSXAGS111TW01
	514667	Overlay	Models HSEXAGW171TW01 and HGSXAGW111TW01
	514669	Overlay	Models BSEXAGS171TW01 and BGSXAGS111TW01
	514371	Overlay	All other models
22	24205	Nut	
23	39897	Switch Knob	
24	54612	Key	800
25	27260P	Lock Kit	Includes item 30
26	514726	Coin Slide Guard	
27	201915	Slide Extension Kit	
28	03815	Washer	
29	27328	Screw	
30	804338	Lock Cam	

Coin Slide Extension Kit

Models BSESXAGS171TW01, BSGSXAGS111TW01, HSESXAGW171TW01, HSGSXAGW111TW01, JSESXAGS171TW01, JSGSXAGS111TW01, SSESXAGS151TW01, SSESXAGS171TW01, SSESXAGW171TW01, SSGSXAGS111TQ01, SSGSXAGS111TW01 and SSGSXAGW111TW01



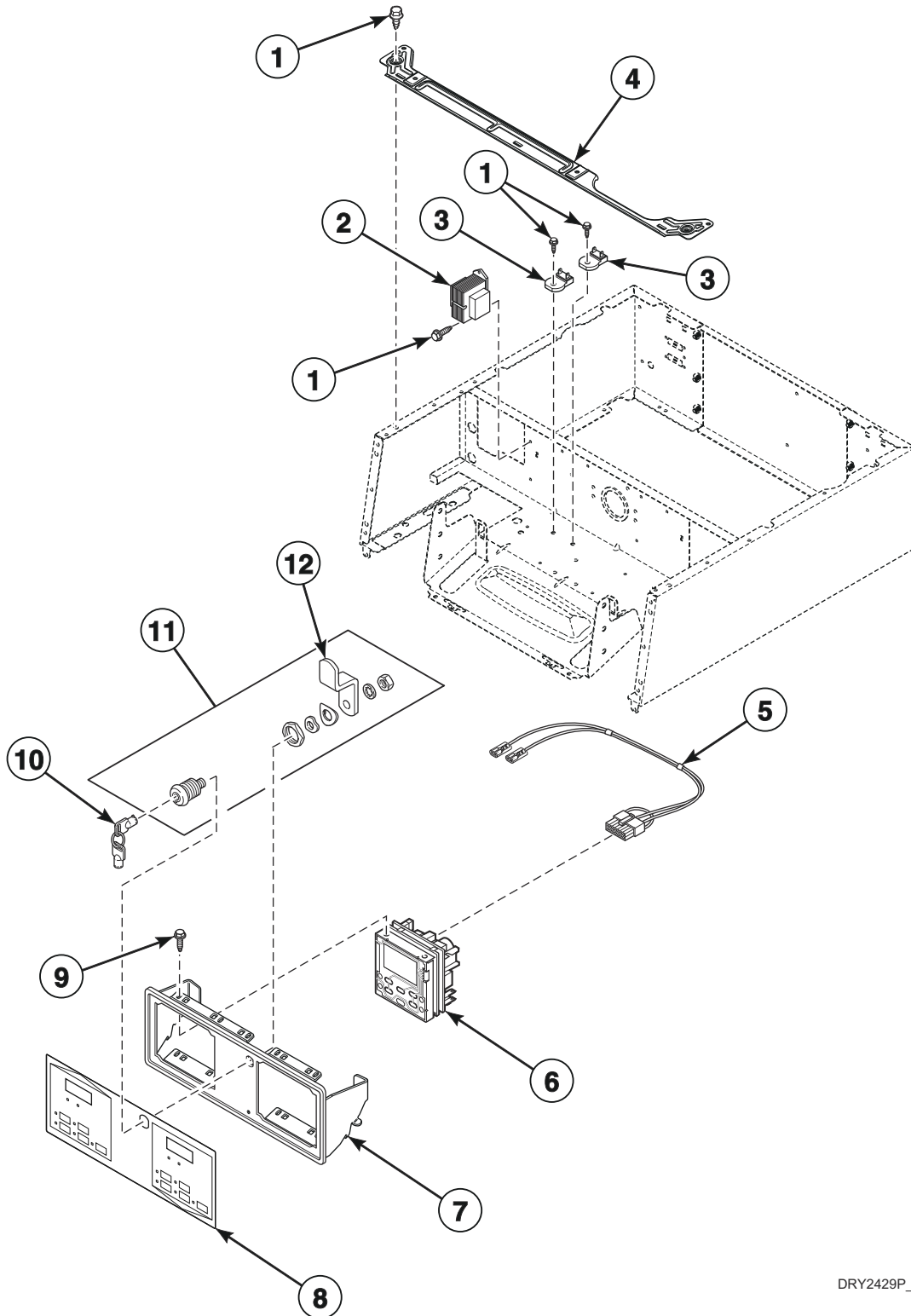
DRY2428P_515205

Coin Slide Extension Kit

REF	PART NO.	DESCRIPTION	COMMENTS
1	514105	Switch	
2	803662	Bracket	
3	514228	Coin Slide Extension Kit	Includes items 1 and 2

Control Panel and Controls

Models BSEBCAGS171TW01, BSEBYAGS171TW01, BSGBCAGS111TW01, BSGBYAGS111TW01, HSEBCAGW171TW01, HSEBYAGW171TW01, HSGBCAGW111TW01, HSGBYAGW111TW01, SSEBCAGS151TW01, SSEBCAGS171TW01, SSEBCAGW151TW01, SSEBCAGW171TW01, SSEBXAGS171TW01, SSEBYAGS151TW01, SSEBYAGS171TW01, SSEBYAGW171TW01, SSGBCAGS111TW01, SSGBCAGW111TW01, SSGBXAGS111TW01, SSGBXAGW111TW01, SSGBYAGS111TW01 and SSGBYAGW111TW01



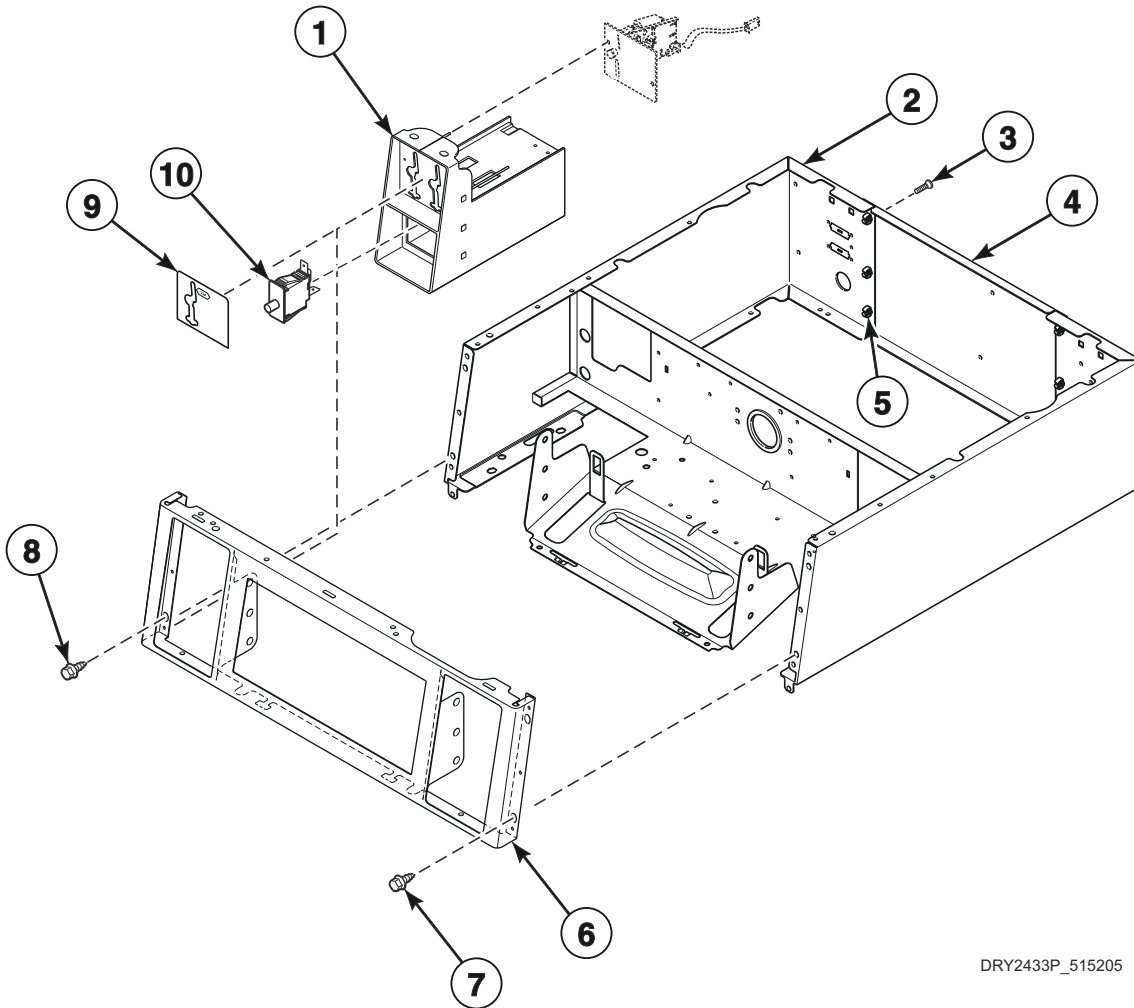
DRY2429P_515205

Control Panel and Controls

REF	PART NO.	DESCRIPTION	COMMENTS
	203328	Network Retrofit Kit	Wired
	203327	Wireless Network Kit	
	203346	USB IR Interface Kit	
	NK220	Network Controller Kit	Wired
	NK320	Ethernet Gateway Kit	Wireless
	NK330	USB Gateway Kit	Wireless
1	503688	Screw	
2	201375P	Transformer	Models BSEBYAGS171TW01, BSGBYAGS111TW01, HSEBYAGW171TW01, HSGBYAGW111TW01, SSEBXAGS171TW01, SSEBYAGS151TW01, SSEBYAGS171TW01, SSEBYAGW171TW01, SSGBXAGS111TW01, SSGBXAGW111TW01, SSGBYAGS111TW01 and SSGBYAGW111TW01
	210018P	Transformer	All other models
3	210100	Resistor	Use with item 2
4	804018	Shield Bracket	
5	800374	Diagnostic Wire Harness Assembly	Models BSEBYAGS171TW01, BSGBYAGS111TW01, HSEBYAGW171TW01, HSGBYAGW111TW01, SSEBYAGS151TW01, SSEBYAGS171TW01, SSEBYAGW171TW01, SSGBYAGS111TW01 and SSGBYAGW111TW01
	512422P	Wire Harness Assembly	All other models
6	514273	Control Assembly	Models BSEBCAGS171TW01, BSEBYAGS171TW01, BSGBCAGS111TW01 and BSGBYAGS111TW01
	511867P	Control Assembly	All other models
7	513778W	Control Panel and Bracket Assembly	
8	515058	Control Overlay	Models BSEBCAGS171TW01, BSEBYAGS171TW01, BSGBCAGS111TW01 and BSGBYAGS111TW01
	514668	Control Overlay	Models HSEBCAGW171TW01, HSEBYAGW171TW01, HSGBCAGW111TW01 and HSGBYAGW111TW01
	514665	Overlay	All other models
9	501524	Screw	
10	54612	Key	800
11	27260P	Lock Kit	Includes item 12
12	804338	Lock Cam	

Control Cabinet Controls - Coin Drop Models

Models BSEBCAGS171TW01, BSGBCAGS111TW01, HSEBCAGW171TW01, HSGBCAGW111TW01, SSEBCAGS151TW01, SSEBCAGS171TW01, SSEBCAGW151TW01, SSEBCAGW171TW01, SSEBXAGS171TW01, SSGBCAGS111TW01, SSGBCAGW111TW01, SSGBXAGS111TW01 and SSGBXAGW111TW01



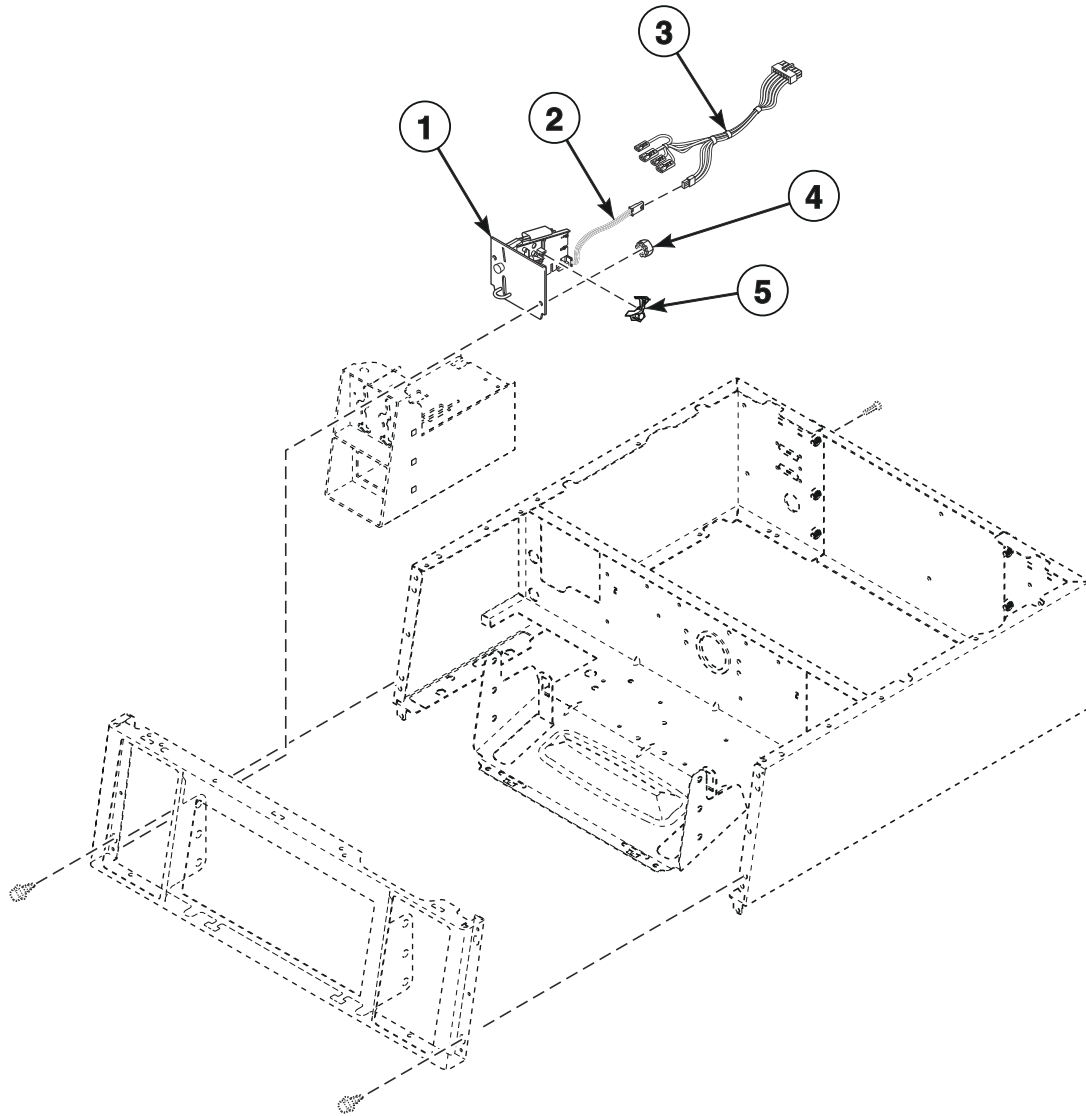
DRY2433P_515205

Control Cabinet Controls - Coin Drop Models

REF	PART NO.	DESCRIPTION	COMMENTS
1	804009W	Meter Case Assembly	Requires high capacity coin vault
2	804104W	Wrapper Assembly	
3	70240301	Screw	6 required
4	803998	Rear Access Panel	
5	70030501	Expansion Clip	6 required
6	803964	Control Panel	White
7	503688	Screw	
8	29651	Bolt	2 required; Use with 2 of 44087201 Nut to attach
9	38717	Single Overlay	
10	512973	Switch	

Non-Electronic Coin Drop - Coin Drop Models

Models BSEBCAGS171TW01, BSGBCAGS111TW01, HSEBCAGW171TW01, HSGBCAGW111TW01, SSEBCAGS151TW01, SSEBCAGS171TW01, SSEBCAGW151TW01, SSEBCAGW171TW01, SSGBCAGS111TW01 and SSGBCAGW111TW01



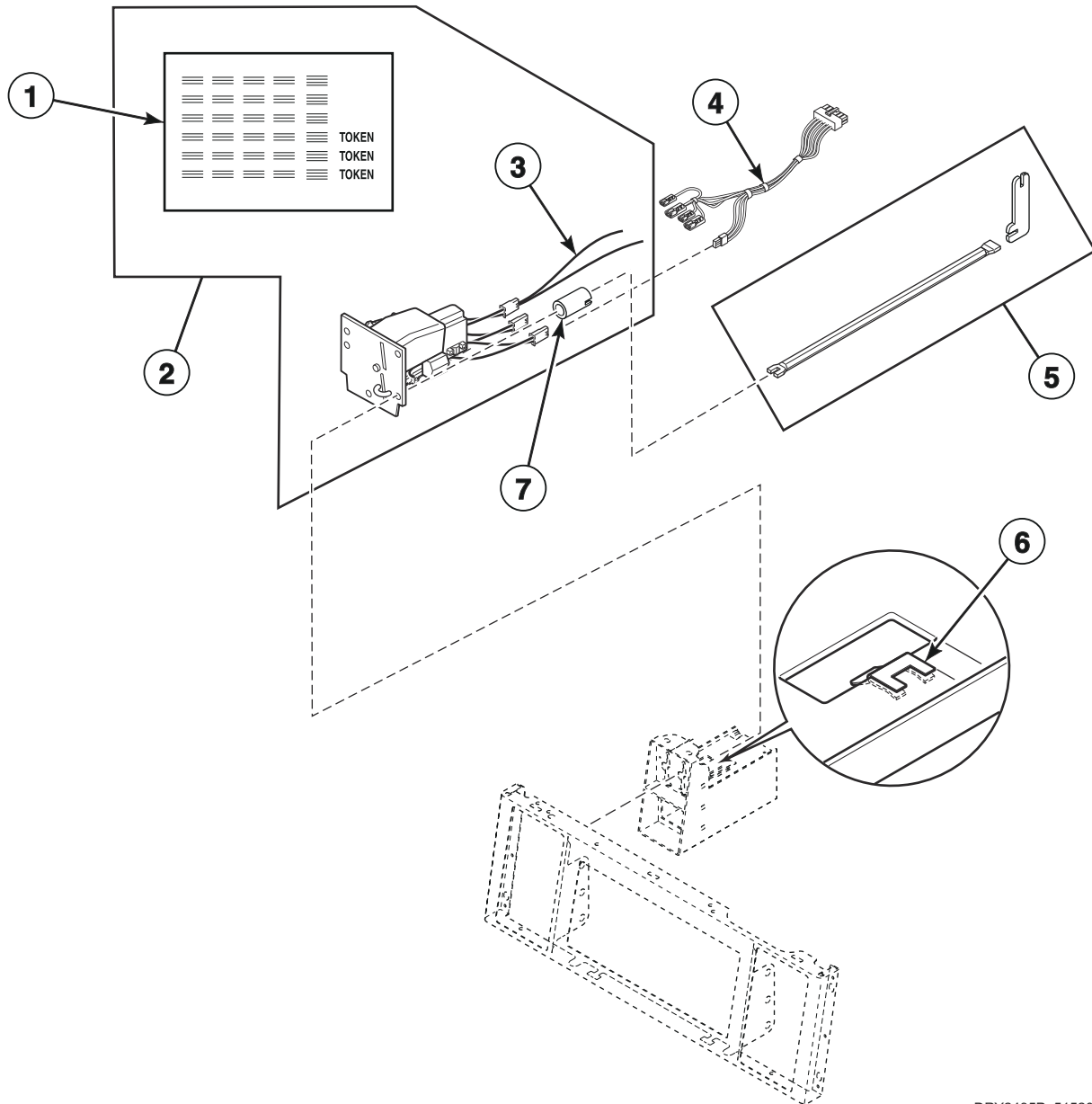
DRY2434P_515205

Non-Electronic Coin Drop - Coin Drop Models

REF	PART NO.	DESCRIPTION	COMMENTS
1	38462P	Coin Drop Assembly	Token; 118-1 mzp
	38463	Coin Drop Assembly	Token; 118-5 mzp
	38464P	Coin Drop Assembly	Canada; .25
	38475	Coin Drop Assembly	Japan; 100 yen
	CK077	Coin Drop Kit	Taiwan; 10 NT
	70441601P	Coin Drop	USA; \$0.25
	38963P	Coin Drop	Token 118-16 mzp 5 nt
2	200674P	Opto Coupler	
3	802904P	Harness Assembly	
4	29786	Nut	
5	201595P	Wire Guard	Anti-stringing security device

Electronic Coin Drop - Coin Drop Models

Models BSEBCAGS171TW01, BSGBCAGS111TW01, HSEBCAGW171TW01, HSGBCAGW111TW01, SSEBCAGS151TW01, SSEBCAGS171TW01, SSEBCAGW151TW01, SSEBCAGW171TW01, SSEBXAGS171TW01, SSGBCAGS111TW01, SSGBCAGW111TW01, SSGBXAGS111TW01 and SSGBXAGW111TW01



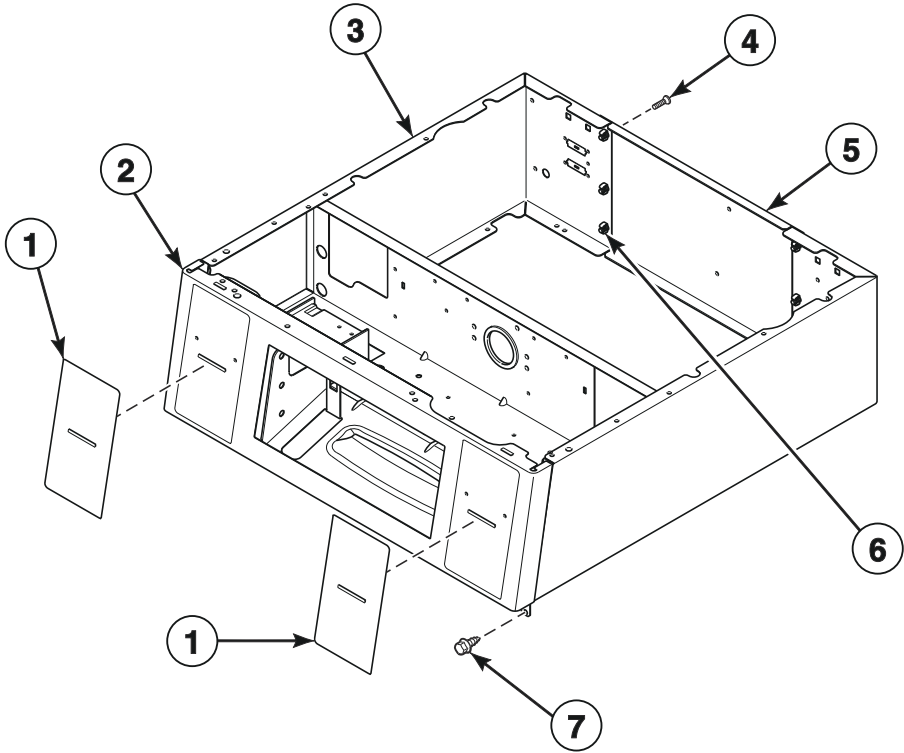
DRY2435P_515205

Electronic Coin Drop - Coin Drop Models

REF	PART NO.	DESCRIPTION	COMMENTS
1	38725	Coin Identification Paper	
2	CK115	Electronic Coin Drop Kit	Includes items 1, 3, 6 and 7; United States and Canada coins
3	201104	Coin Drop Wire Harness	
4	802905	Harness Assembly	Electronic coin drop requires this harness. If unit is not factory-equipped with this harness, it must be ordered separately.
5	CK096	Mounting Tool Kit	
6	201572	Clip	
7	201216	Nut	

Control Cabinet - Integrated Card Reader Installed and Card Ready Models

Models BSEBYAGS171TW01, BSGBYAGS111TW01, HSEBYAGW171TW01, HSGBYAGW111TW01, SSEBYAGS151TW01, SSEBYAGS171TW01, SSEBYAGW171TW01, SSGBYAGS111TW01 and SSGBYAGW111TW01

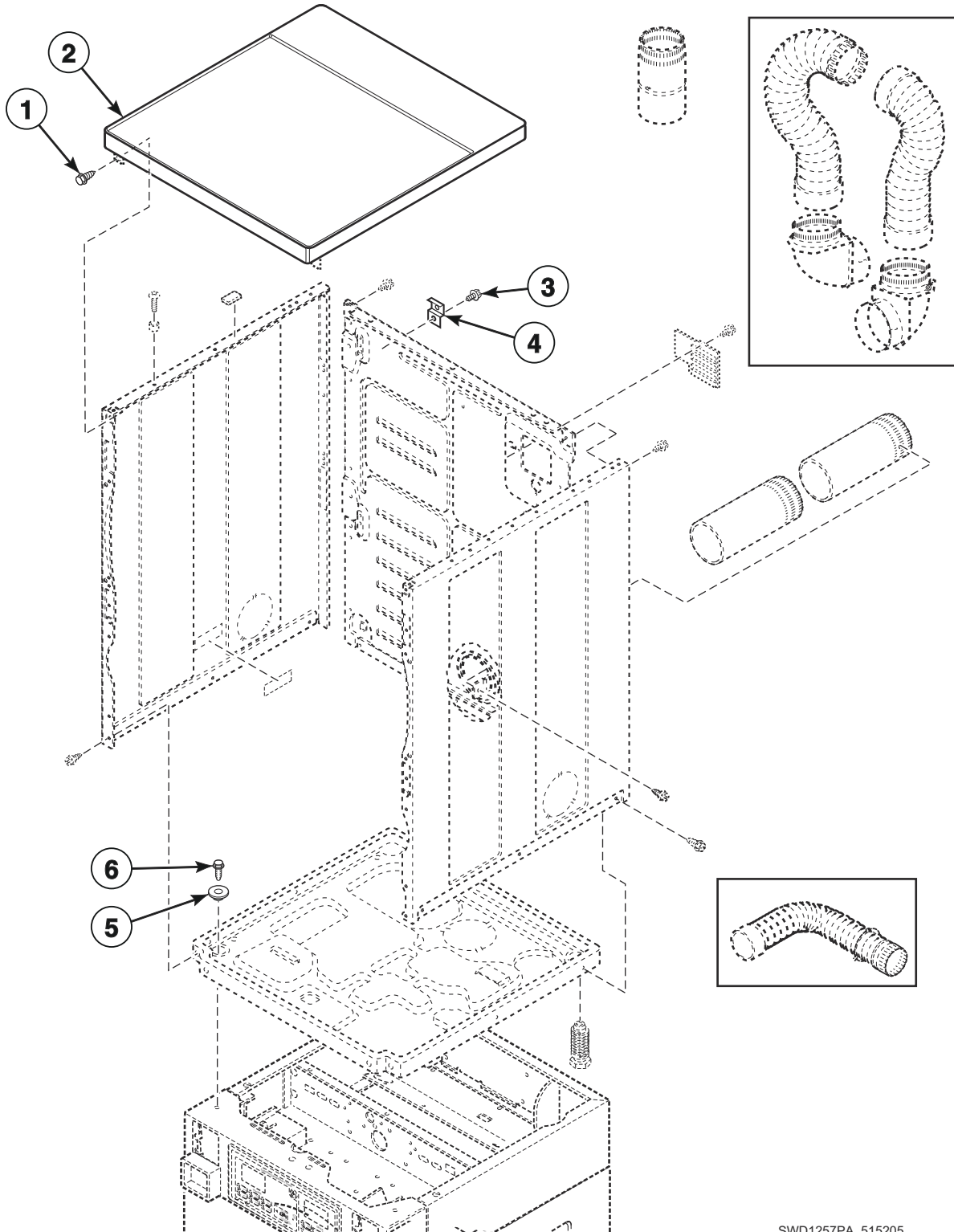


DRY2409P_515205

Control Cabinet - Integrated Card Reader Installed and Card Ready Models

REF	PART NO.	DESCRIPTION	COMMENTS
1	514873	Overlay	2 required; Models HSEBYAGW171TW01 and HSGBYAGW111TW01
	514391	Card Insert Overlay	2 required; All other models
2	804147W	Security Cabinet Front Assembly	White
3	804112W	Wrapper Assembly	White
4	70240301	Screw	6 required
5	803998	Rear Access Panel	
6	70030501	Expansion Clip	6 required
7	503688	Screw	

Cabinet Top



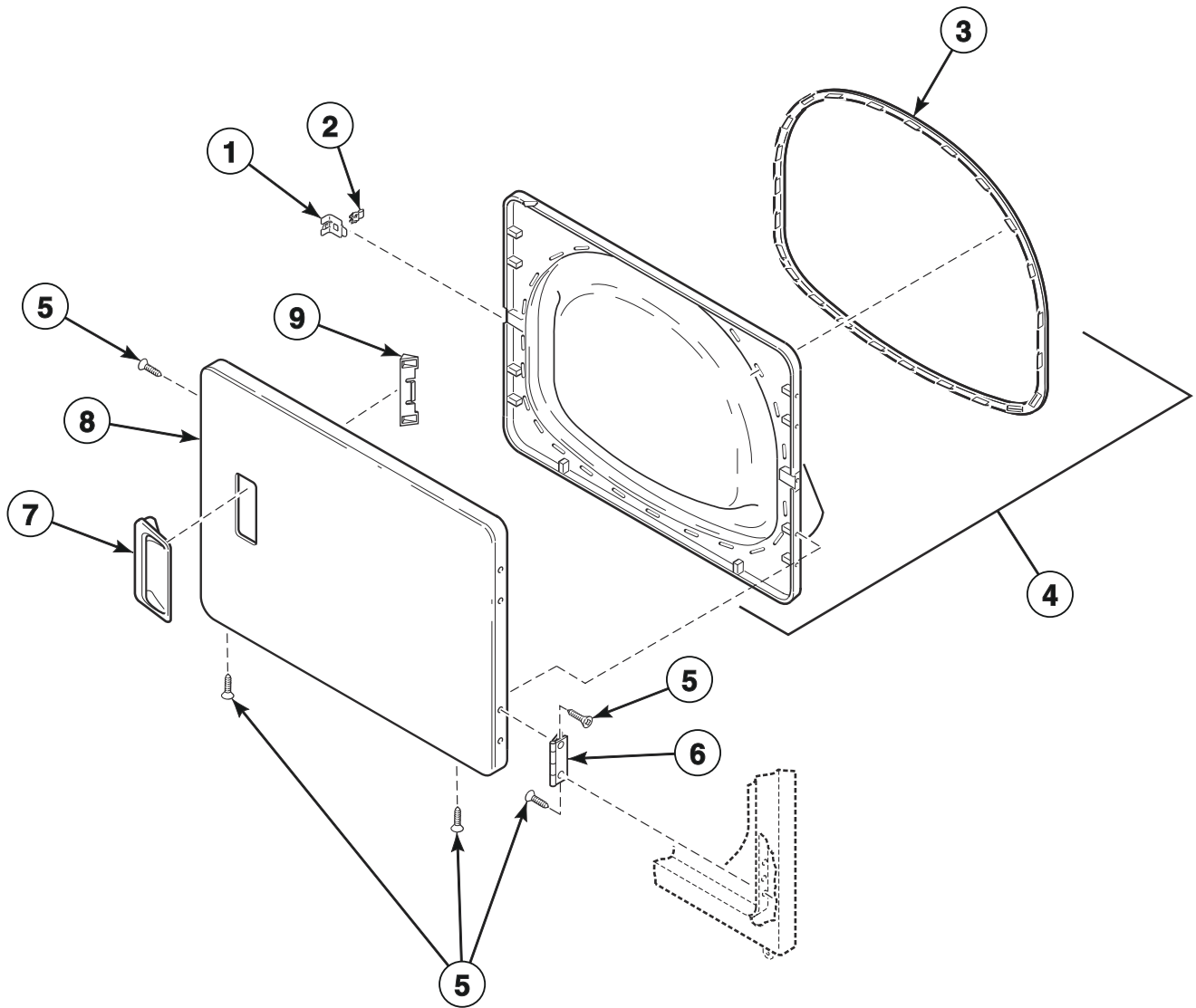
SWD1257PA_515205

Cabinet Top

REF	PART NO.	DESCRIPTION	COMMENTS
1	503661	Screw	
2	510032QP	Top Kit	Bisque; Model SSGSXAGS111TQ01
	510032WP	Top Kit	White; All other models
3	503688	Screw	
4	510136	Top Hinge	
5	501307	Washer	
6	36048	Screw	

Loading Door without Window

Models BSEBCAGS171TW01, BSEBYAGS171TW01, BSESXAGS171TW01, BSGBCAGS111TW01, BSGBYAGS111TW01, BSGSXAGS111TW01, JSEMAGS171TW01, JSESXAGS171TW01, JSGMNAGS111TW01, JSGSXAGS111TW01, SSEBCAGS151TW01, SSEBCAGS171TW01, SSEBXAGS171TW01, SSEBYAGS151TW01, SSEBYAGS171TW01, SSEMNAGS151TW01, SSEMNAGS171TW01, SSESXAGS151TW01, SSESXAGS171TW01, SSGBCAGS111TW01, SSGBXAGS111TW01, SSGBYAGS111TW01, SSGMNAGS111TW01, SSGSXAGS111TQ01, SSGSXAGS111TW01, USEMNAGS171TW01 and USGMNAGS111TW01



DRY1775P_515205

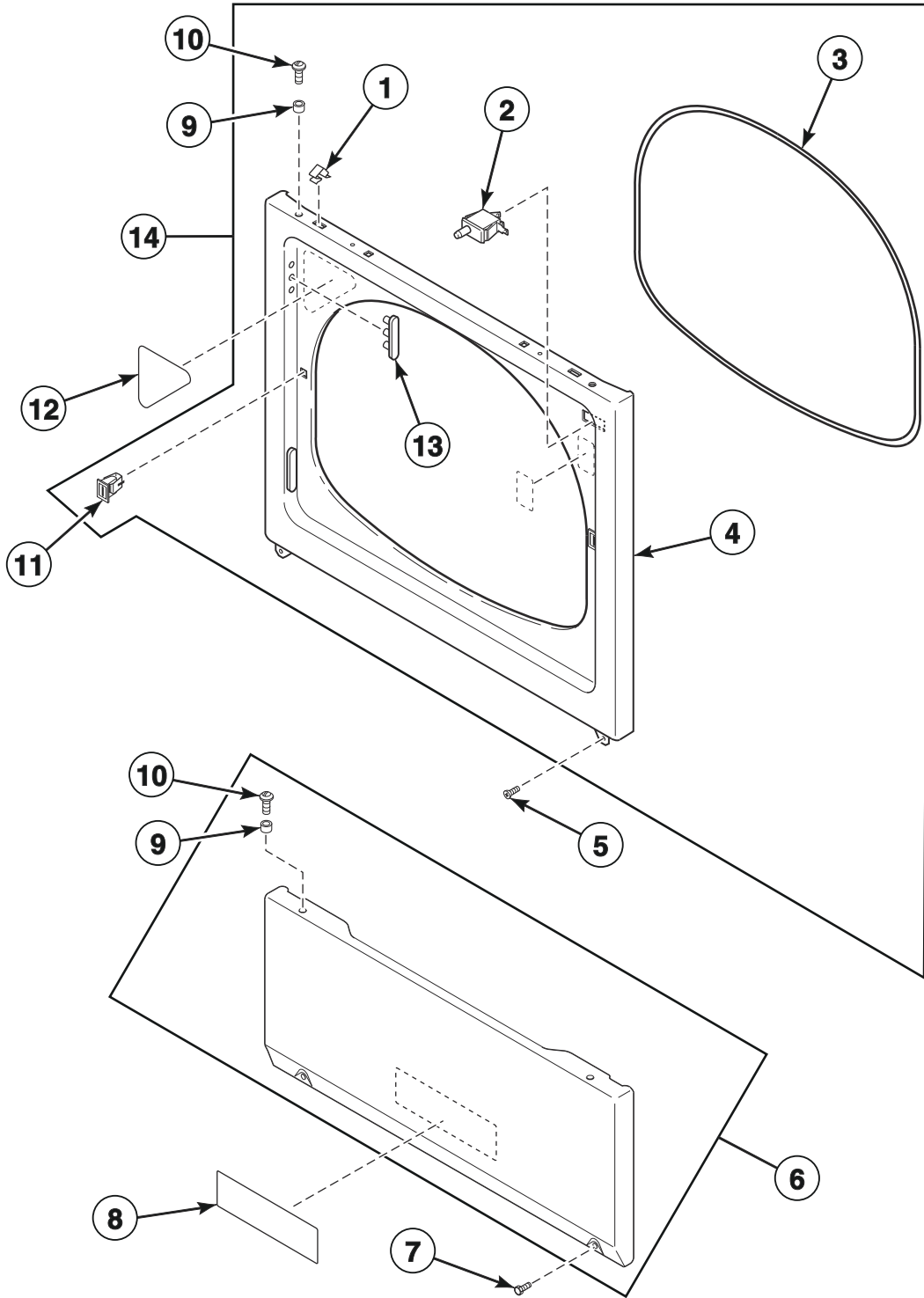
Loading Door without Window

REF	PART NO.	DESCRIPTION	COMMENTS
1	510127	Door Strike Mount	
2	510181	Door Strike	
3	510147P	Liner Door Seal	
4	510163WP	Liner, Seal and Grill Assembly	Models BSGBCAGS111TW01, BSGBYAGS111TW01, BSGSXAGS111TW01, JSGMNAGS111TW01, JSGSXAGS111TW01, SSGBCAGS111TW01, SSGBXAGS111TW01, SSGBYAGS111TW01, SSGMNAGS111TW01, SSGSXAGS111TQ01, SSGSXAGS111TW01 and USGMNAGS111TW01
	513109P	Liner, Seal and Grill Assembly	Gray; Models BSEBCAGS171TW01, BSEBYAGS171TW01, BSEBXAGS171TW01, JSEMNAGS171TW01, JSEBXAGS171TW01, SSEBCAGS151TW01, SSEBCAGS171TW01, SSEBXAGS171TW01, SSEBYAGS151TW01, SSEBYAGS171TW01, SSEMNAGS151TW01, SSEMNAGS171TW01, SSESXAGS151TW01, SSESXAGS171TW01 and USEMNAGS171TW01
5	505295	Screw	
6	511036	Hinge	
7	510103WP	Door Pull and Wedge Kit	White; Includes item 9
	510103QP	Door Pull and Wedge Kit	Bisque; Includes item 9
8	510013WP	Dryer Door	White
	510013QP	Dryer Door	Bisque
9	510129W	Door Handle Wedge	White
	510129LG	Door Handle Wedge	Gray

Loading Door with Window

REF	PART NO.	DESCRIPTION	COMMENTS
1	510082WP	Dryer Door	White; Models HSGBCAGW111TW01, HSGBYAGW111TW01, HSGSXAGW111TW01, SSGBCAGW111TW01, SSGBXAGW111TW01, SSGBYAGW111TW01 and SSGSXAGW111TW01
	514114W	Dryer Door Assembly	Models HSEBCAGW171TW01, HSEBYAGW171TW01, HSESXAGW171TW01, SSEBCAGW151TW01, SSEBCAGW171TW01, SSEBYAGW171TW01 and SSESXAGW171TW01
2	510129W	Door Handle Wedge	White
	510129LG	Door Handle Wedge	Gray
3	503982P	Dryer Door Window	
4	510127	Door Strike Mount	
5	510181	Door Strike	
6	500226	Screw	
7	510147P	Liner Door Seal	
8	503870W	Door Liner Grill	Models HSGBCAGW111TW01, HSGBYAGW111TW01, HSGSXAGW111TW01, SSGBCAGW111TW01, SSGBXAGW111TW01, SSGBYAGW111TW01 and SSGSXAGW111TW01
	503870LG	Door Liner Grill	Models HSEBCAGW171TW01, HSEBYAGW171TW01, HSESXAGW171TW01, SSEBCAGW151TW01, SSEBCAGW171TW01, SSEBYAGW171TW01 and SSESXAGW171TW01
9	510098W	Liner and Seal Assembly	Includes item 7; Models HSGBCAGW111TW01, HSGBYAGW111TW01, HSGSXAGW111TW01, SSGBCAGW111TW01, SSGBXAGW111TW01, SSGBYAGW111TW01 and SSGSXAGW111TW01
	510098LG	Liner and Seal Assembly	Includes item 7; Models HSEBCAGW171TW01, HSEBYAGW171TW01, HSESXAGW171TW01, SSEBCAGW151TW01, SSEBCAGW171TW01, SSEBYAGW171TW01 and SSESXAGW171TW01
10	505870	Screw	
11	505295	Screw	
12	511036	Hinge	
13	513958	Window Clip	Models HSEBCAGW171TW01, HSEBYAGW171TW01, HSESXAGW171TW01, SSEBCAGW151TW01, SSEBCAGW171TW01, SSEBYAGW171TW01 and SSESXAGW171TW01
14	44071201	Nut	Models HSEBCAGW171TW01, HSEBYAGW171TW01, HSESXAGW171TW01, SSEBCAGW151TW01, SSEBCAGW171TW01, SSEBYAGW171TW01 and SSESXAGW171TW01
15	503981W	Window Trim	White; Models HSGBCAGW111TW01, HSGBYAGW111TW01, HSGSXAGW111TW01, SSGBCAGW111TW01, SSGBXAGW111TW01, SSGBYAGW111TW01 and SSGSXAGW111TW01
	513960W	Window Trim	Models HSEBCAGW171TW01, HSEBYAGW171TW01, HSESXAGW171TW01, SSEBCAGW151TW01, SSEBCAGW171TW01, SSEBYAGW171TW01 and SSESXAGW171TW01
16	513910	Glass Door Window	Models HSEBCAGW171TW01, HSEBYAGW171TW01, HSESXAGW171TW01, SSEBCAGW151TW01, SSEBCAGW171TW01, SSEBYAGW171TW01 and SSESXAGW171TW01
17	510103WP	Door Pull and Wedge Kit	White; Includes item 2
18	511636WP	Door and Liner Assembly	White; Includes items 1-10, 15 and 17

Access Panel, Front Panel and Seal

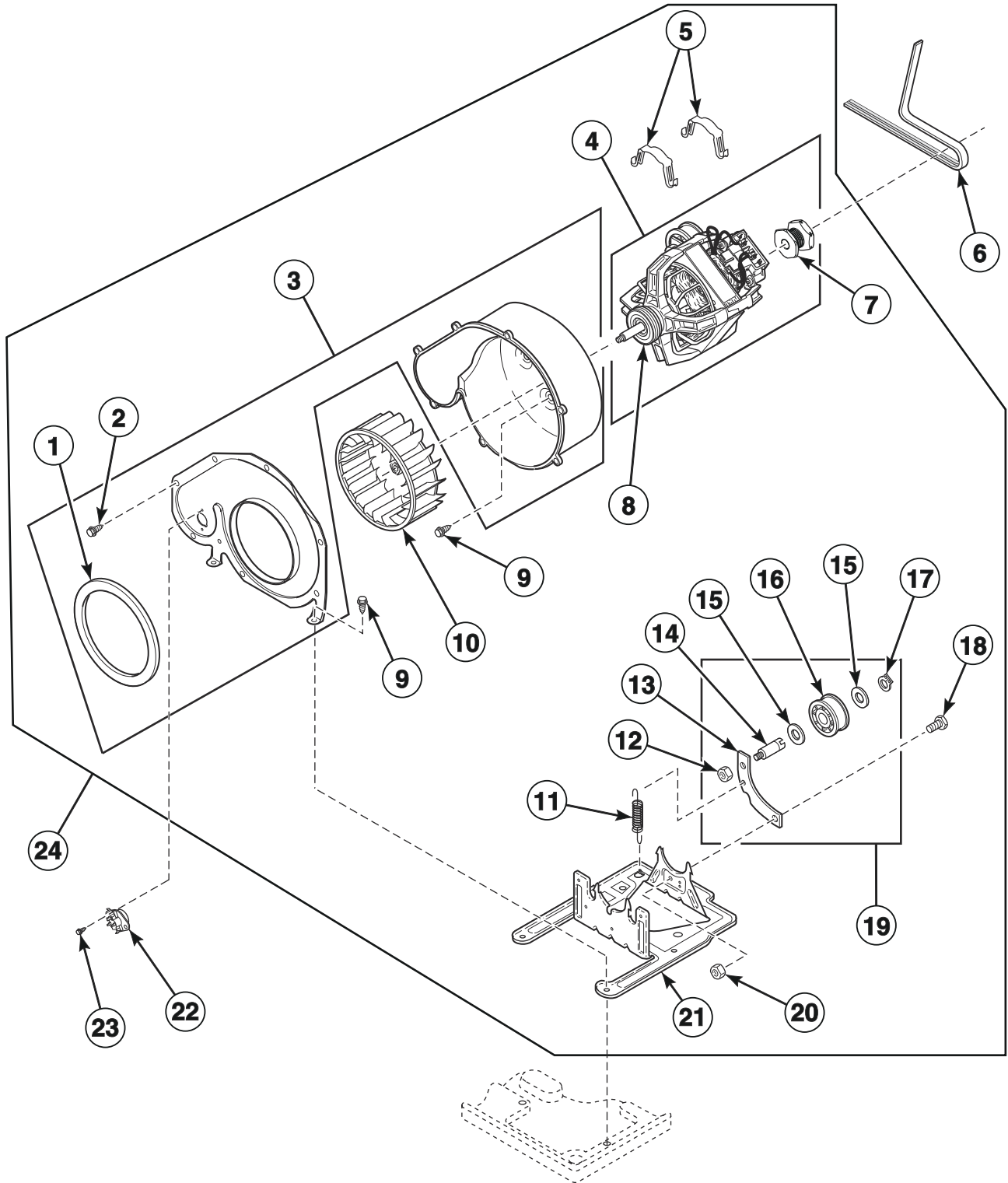


DRY2213P_515205

Access Panel, Front Panel and Seal

REF	PART NO.	DESCRIPTION	COMMENTS
1	28835	Speed Clip	1 per side
2	512973	Switch	
3	511056	Front Panel Seal	
4	510066WP	Front Panel	White
	510066LP	Front Panel	Almond
	510066QP	Front Panel	Bisque
5	503688	Screw	
6	514250WP	Access Panel Assembly	White; Models BSGBCAGS111TW01, BSGBYAGS111TW01, BSGSXAGS111TW01, HSGBCAGW111TW01, HSGBYAGW111TW01, HSGSXAGW111TW01, JSGMNAGS111TW01, JSGSXAGS111TW01, SSGBCAGS111TW01, SSGBCAGW111TW01, SSGBXAGS111TW01, SSGBXAGW111TW01, SSGBYAGS111TW01, SSGBYAGW111TW01, SSGMNAGS111TW01, SSGSXAGS111TW01, SSGSXAGW111TW01 and USGMNAGS111TW01
	514250Q	Access Panel Assembly	Bisque; Model SSGSXAGS111TQ01
	514252W	Access Panel and Guard Assembly	White; All other models
7	33562	Screw	Slotted hex head
	62853	Screw	Torx head; Optional for added security
8	500498	Instructions for Use Label	
9	56079	Panel Locator	1 per side
10	39733	Screw	1 per side
11	510177	Door Catch Assembly	
12	500281	Warning/Caution Label	
13	510186	Hinge Hole Plug	
14	513781W	Front Panel Assembly	Includes items 1-4, 9-11, 13, 511626WP Door Assembly, (2) of 511036 Door Hinge and (8) of 500226 Screw; Models HSEBCAGW171TW01, HSEBYAGW171TW01, HSESXAGW171TW01, HSGBCAGW111TW01, HSGBYAGW111TW01, HSGSXAGW111TW01, SSEBCAGW151TW01, SSEBCAGW171TW01, SSEBYAGW171TW01, SSESXAGW171TW01, SSGBCAGW111TW01, SSGBXAGW111TW01, SSGBYAGW111TW01 and SSGSXAGW111TW01

Motor, Exhaust Fan and Belt

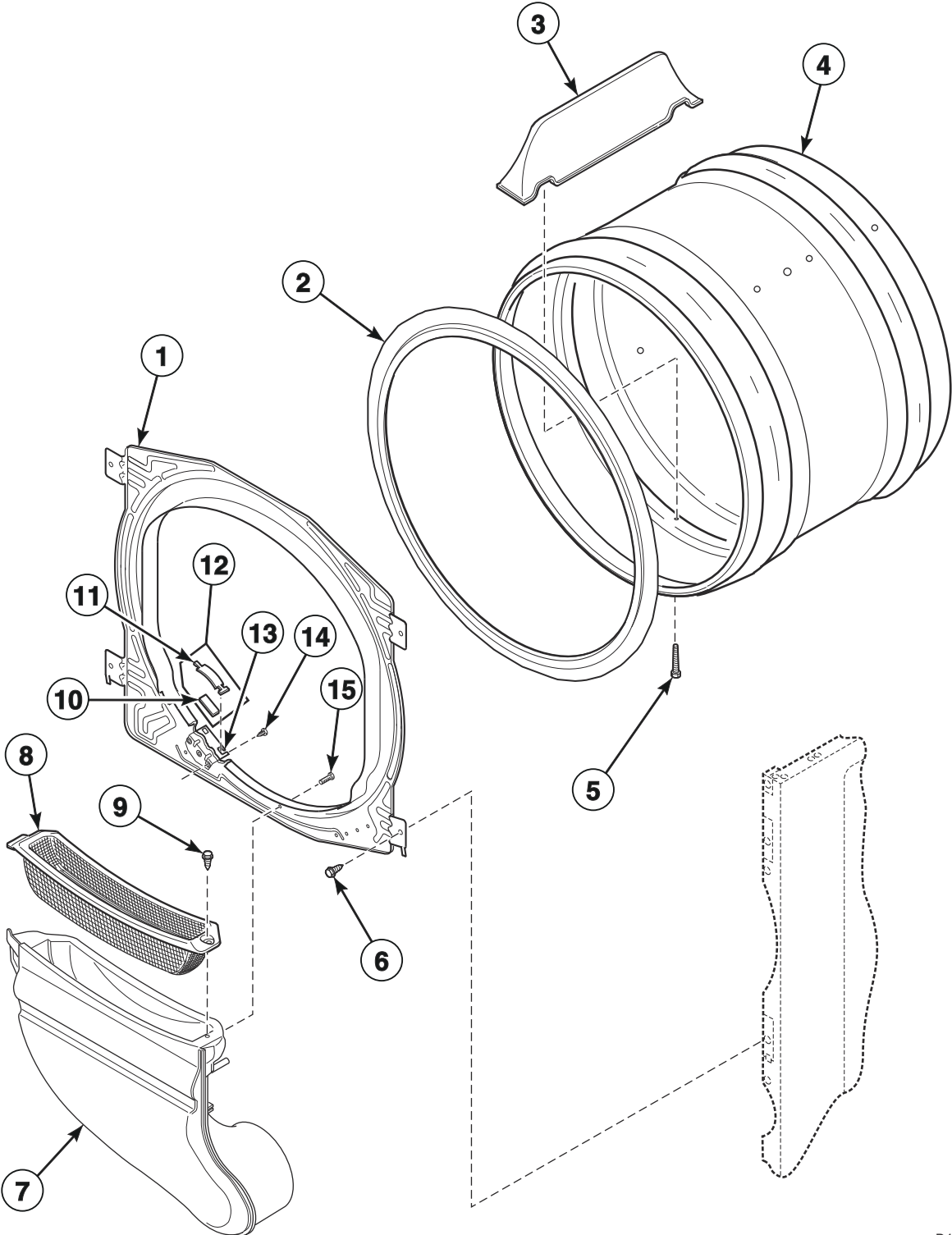


DRY2084P_515205

Motor, Exhaust Fan and Belt

REF	PART NO.	DESCRIPTION	COMMENTS
	27604P	Anti-Seize Compound	Apply to motor shaft when installing blower fan assembly
1	510238P	Blower Housing Seal	
2	31260	Screw	
3	511969WP	Blower Housing	Includes items 1 and 2
4	511629P	Motor and Pulley Assembly	120 Volt/60 Hertz; Apply anti-seize compound to motor shaft when installing blower fan assembly; Includes items 7-9
5	510180	Motor Mount Clamp	
6	511255P	Cylinder Belt	
7	500011	Motor Pulley	60 Hertz
8	590P3	Motor Hub Ring Kit	
9	503688	Screw	
10	510139P	Blower Fan Assembly	Apply anti-seize compound to motor shaft when installing blower fan assembly
11	510185	Idler Spring	
12	56156	Nut	
13	510133	Idler Lever	
14	56461P	Shaft	
15	52549	Washer	
16	510142P	Idler Wheel and Bearing Assembly	
17	23748	Retaining Ring	
18	500824	Screw	
19	510158	Idler Lever and Wheel Assembly	Includes items 12-17
20	52566	Nut	
21	510060	Motor Mount	
22	512005	Thermostat	Green/White; Models JSEMNAGS171TW01, JSGMNAGS111TW01, SSEMNAGS151TW01, SSEMNAGS171TW01, SSGMNAGS111TW01, USEMNAGS171TW01 and USGMNAGS111TW01
	510523	Thermistor Assembly	Black; All other models
23	502535	Screw	
24	510717P	Blower and Fan Kit	Includes items 1-5 and 7-23

Front Bulkhead, Felt Seal, Cylinder, Air Duct and Lint Filter

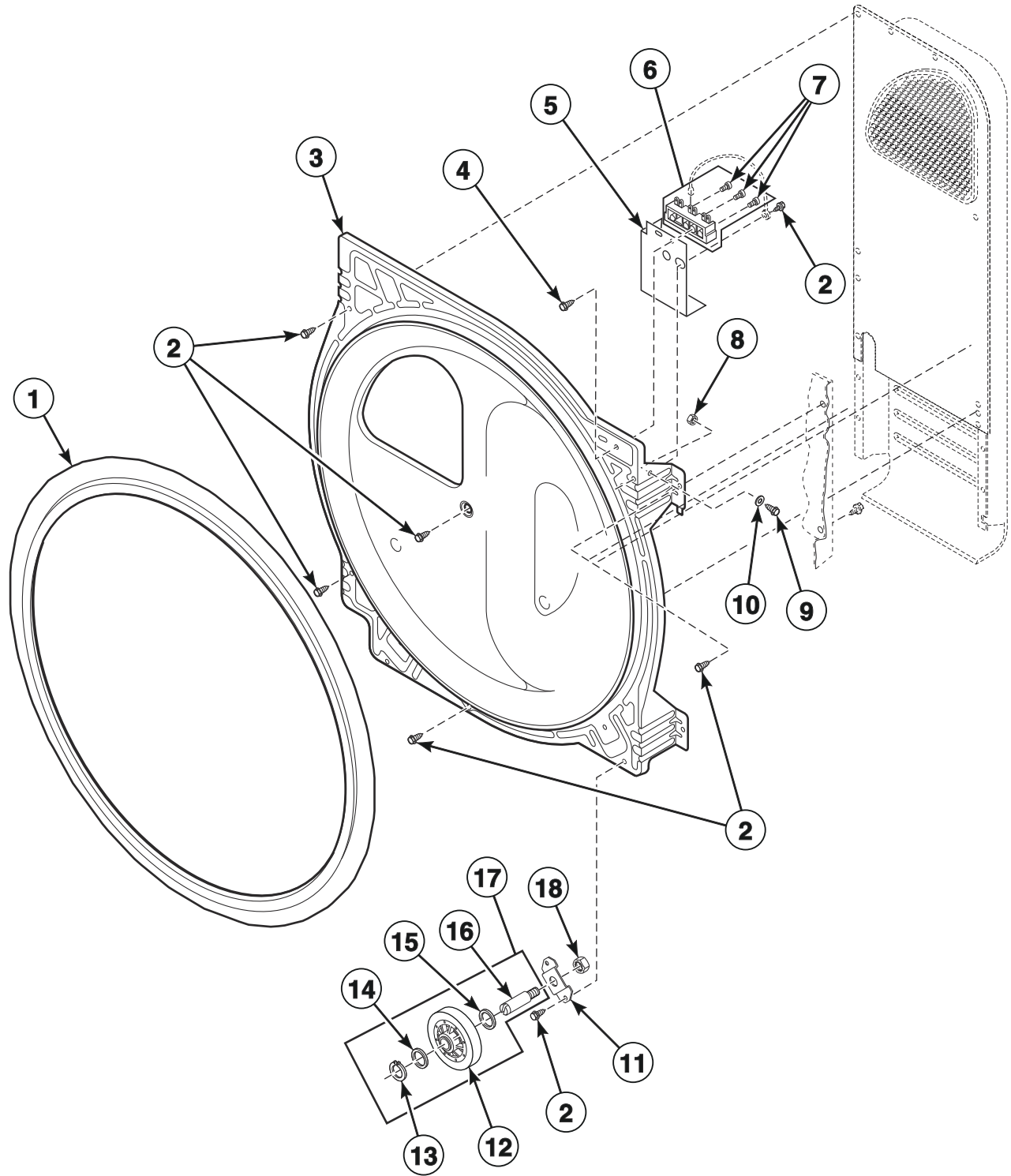


D402P_515205

Front Bulkhead, Felt Seal, Cylinder, Air Duct and Lint Filter

REF	PART NO.	DESCRIPTION	COMMENTS
1	510061	Front Bulkhead Assembly	Unpainted; Includes items 2, 10, 11, 13 and 14
2	510207P	Cylinder Seal Assembly	
	511637P	Adhesive	Apply to cylinder seal
	RB170001	Seal Kit	Includes 2 cylinder seals, 510238P Blower Housing Seal and 511637P Adhesive
3	510102W	Cylinder Baffle	Models BSGBCAGS111TW01, BSGBYAGS111TW01, BSGSXAGS111TW01, HSGBCAGW111TW01, HSGBYAGW111TW01, HSGSXAGW111TW01, JSGMNAGS111TW01, JSGSXAGS111TW01, SSGBCAGS111TW01, SSGBCAGW111TW01, SSGBXAGS111TW01, SSGBXAGW111TW01, SSGBYAGS111TW01, SSGBYAGW111TW01, SSGMNAGS111TW01, SSGSXAGS111TQ01, SSGSXAGS111TW01, SSGSXAGW111TW01 and USGMNAGS111TW01
	510102LG	Cylinder Baffle	All other models
4	510265WP	Cylinder Assembly	Galvanized; Includes item 3; Models BSGBCAGS111TW01, BSGBYAGS111TW01, BSGSXAGS111TW01, HSGBCAGW111TW01, HSGBYAGW111TW01, HSGSXAGW111TW01, JSGMNAGS111TW01, JSGSXAGS111TW01, SSGBCAGS111TW01, SSGBCAGW111TW01, SSGBXAGS111TW01, SSGBXAGW111TW01, SSGBYAGS111TW01, SSGBYAGW111TW01, SSGMNAGS111TW01, SSGSXAGS111TQ01, SSGSXAGS111TW01, SSGSXAGW111TW01 and USGMNAGS111TW01
	510265LGP	Cylinder Assembly	Galvanized; Includes item 3; All other models
5	62588	Screw	
6	503688	Screw	
7	510151W	Air Duct Assembly	Models BSGBCAGS111TW01, BSGBYAGS111TW01, BSGSXAGS111TW01, HSGBCAGW111TW01, HSGBYAGW111TW01, HSGSXAGW111TW01, JSGMNAGS111TW01, JSGSXAGS111TW01, SSGBCAGS111TW01, SSGBCAGW111TW01, SSGBXAGS111TW01, SSGBXAGW111TW01, SSGBYAGS111TW01, SSGBYAGW111TW01, SSGMNAGS111TW01, SSGSXAGS111TQ01, SSGSXAGS111TW01, SSGSXAGW111TW01 and USGMNAGS111TW01
	510151LG	Air Duct Assembly	All other models
8	503980W	Lint Filter	Models BSGBCAGS111TW01, BSGBYAGS111TW01, BSGSXAGS111TW01, HSGBCAGW111TW01, HSGBYAGW111TW01, HSGSXAGW111TW01, JSGMNAGS111TW01, JSGSXAGS111TW01, SSGBCAGS111TW01, SSGBCAGW111TW01, SSGBXAGS111TW01, SSGBXAGW111TW01, SSGBYAGS111TW01, SSGBYAGW111TW01, SSGMNAGS111TW01, SSGSXAGS111TQ01, SSGSXAGS111TW01, SSGSXAGW111TW01 and USGMNAGS111TW01
	503980LG	Lint Filter	All other models
9	501285	Screw	
10	510189	Felt Pad	1 per side
11	513710	Cylinder Glide	1 per side
12	RB170003	Glide Kit	Includes 2 of items 10 and 11
13	510145	Cylinder Glide Bracket	1 per side
14	52864	Screw	2 per side
15	505295	Screw	

Rear Bulkhead, Felt Seal, Cylinder Roller and Terminal Block

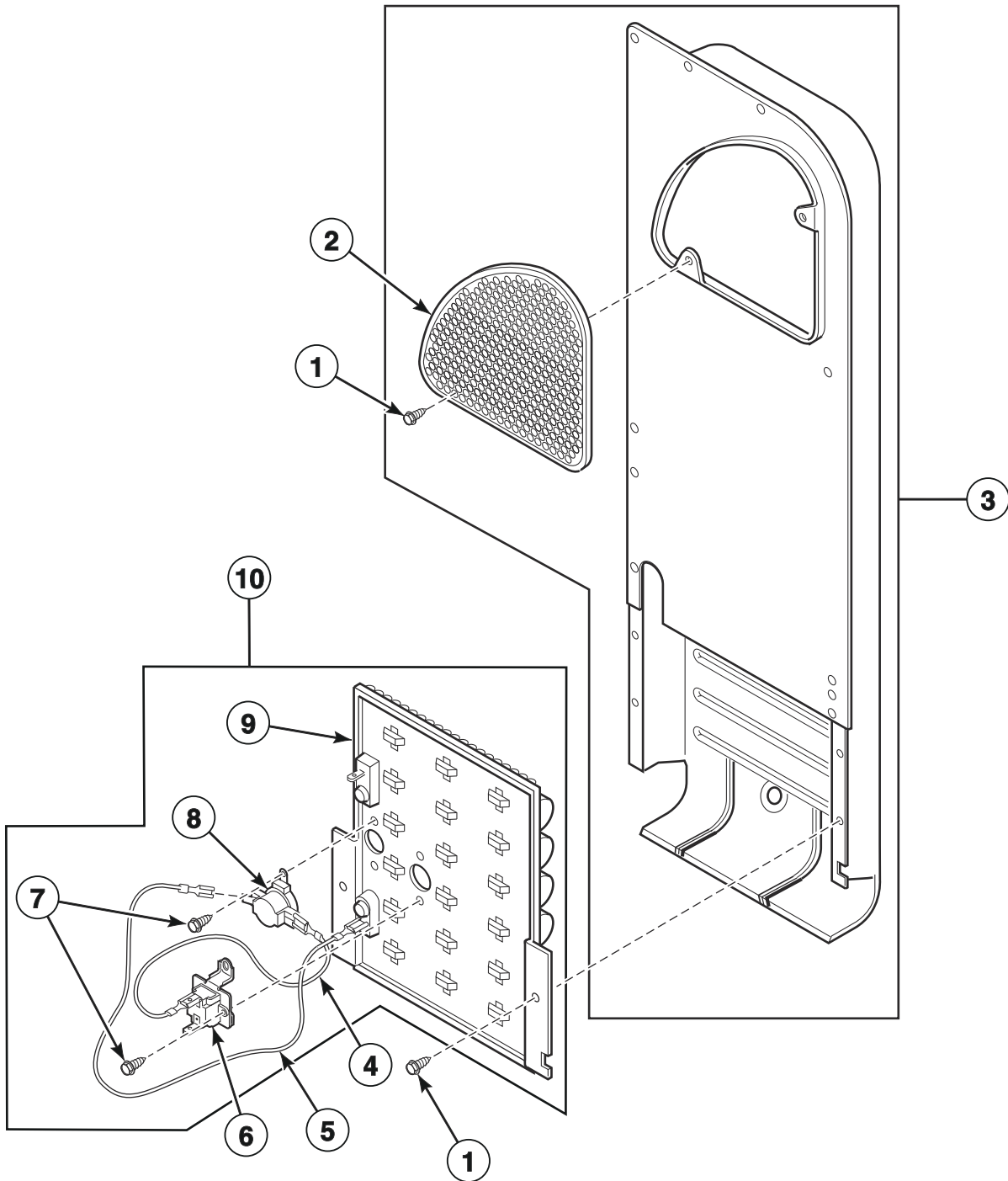


DRY1774P_515205

Rear Bulkhead, Felt Seal, Cylinder Roller and Terminal Block

REF	PART NO.	DESCRIPTION	COMMENTS
1	510207P	Cylinder Seal Assembly	
	511637P	Adhesive	Apply to cylinder seal
	RB170001	Seal Kit	Includes 2 cylinder seals, 510238P Blower Housing Seal and 511637P Adhesive
2	503688	Screw	
3	510041	Rear Bulkhead Assembly	Galvanized; Includes item 1
4	501285	Screw	Electric models
5	510237	Terminal Block Shield	Electric models
6	510190P	Terminal Block Assembly	Electric models; Includes 3 of item 7
7	61199	Screw	
8	28447	Nut	
9	28448	Screw	
10	28449	Washer	
11	510100	Cylinder Roller Bracket	
12	510708P	Cylinder Roller	
13	23748	Retaining Ring	
14	52549	Washer	
15	504082	Washer	
16	56461P	Shaft	
17	RB170002	Roller Kit	Includes items 12-16
18	56156	Nut	

Heater Duct and Element Assembly - Electric Models

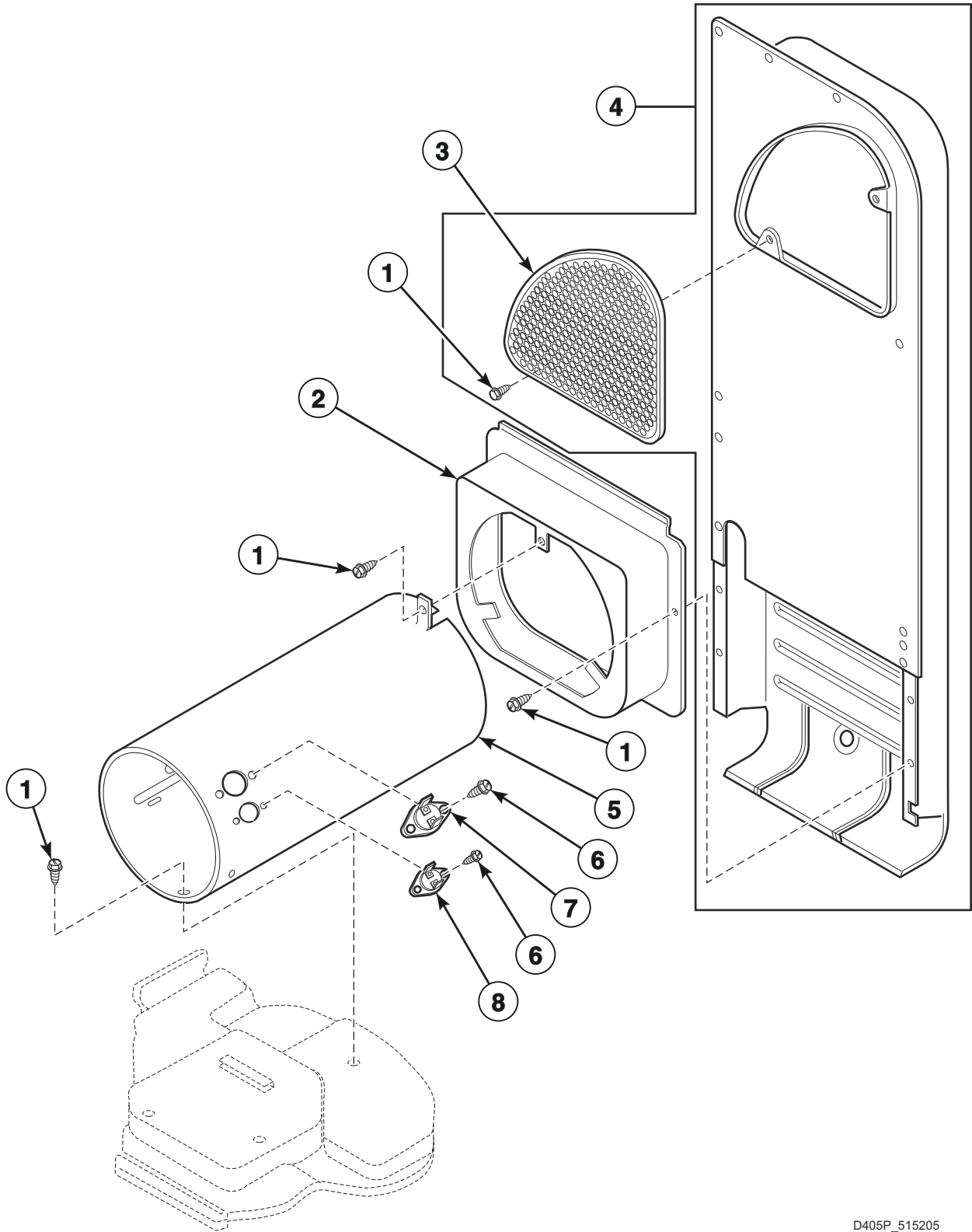


DRY1789P_515205

Heater Duct and Element Assembly - Electric Models

REF	PART NO.	DESCRIPTION	COMMENTS
1	503688	Screw	
2	500820	Outlet Cover	
3	510025P	Heater Duct and Screw Assembly	Includes items 1 and 2
4	510528	Wire Assembly	Orange; Thermostat jumper; Attaches to heater assembly
5	510527	Wire Assembly	Black; Fuse jumper; Attaches to heater assembly
6	511412	Thermal Fuse Assembly	
7	23222	Screw	
8	510701	Limit Thermostat	
9	510325P	Heater	4.75 kW; 208 Volt; Models SSEBCAGS151TW01, SSEBCAGW151TW01, SSEBYAGS151TW01, SSEMNAGS151TW01 and SSESXAGS151TW01
	510329P	Heater Assembly	5.35 kW; 240 Volt; All other models
10	61928	Heater Kit Assembly	4.75 kW; 208 Volt; Includes items 4-9
	964P3	Heater Kit	5.35 kW; 240 Volt; Includes items 4-9

Heater Duct Assembly - Gas Models



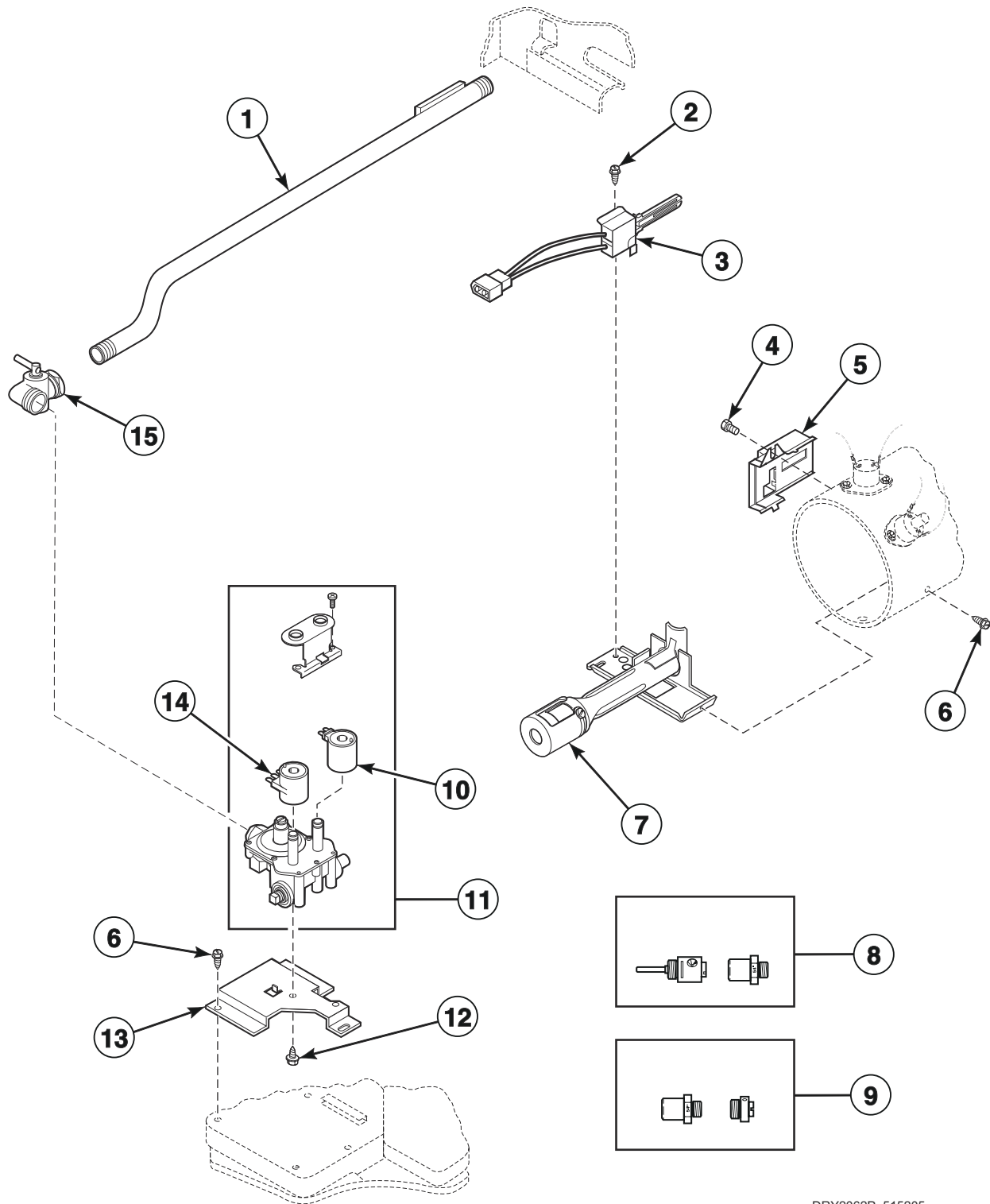
D405P_515205

Heater Duct Assembly - Gas Models

REF	PART NO.	DESCRIPTION	COMMENTS
1	503688	Screw	
2	510101	Heat Duct Shroud	
3	500820	Outlet Cover	
4	510025P	Heater Duct and Screw Assembly	Includes items 1 and 3
5	510131	Combustion Duct	Models JSGMNAGS111TW01, SSGMNAGS111TW01 and USGMNAGS111TW01
	510132	Combustion Duct	All other models
6	51782	Screw	
7	510702	Limit Thermostat	Black; Auto reset
8	510703	Thermostat	All models except JSGMNAGS111TW01, SSGMNAGS111TW01 and USGMNAGS111TW01

Gas Valve, Igniter and Gas Conversion Kits

Gas Models

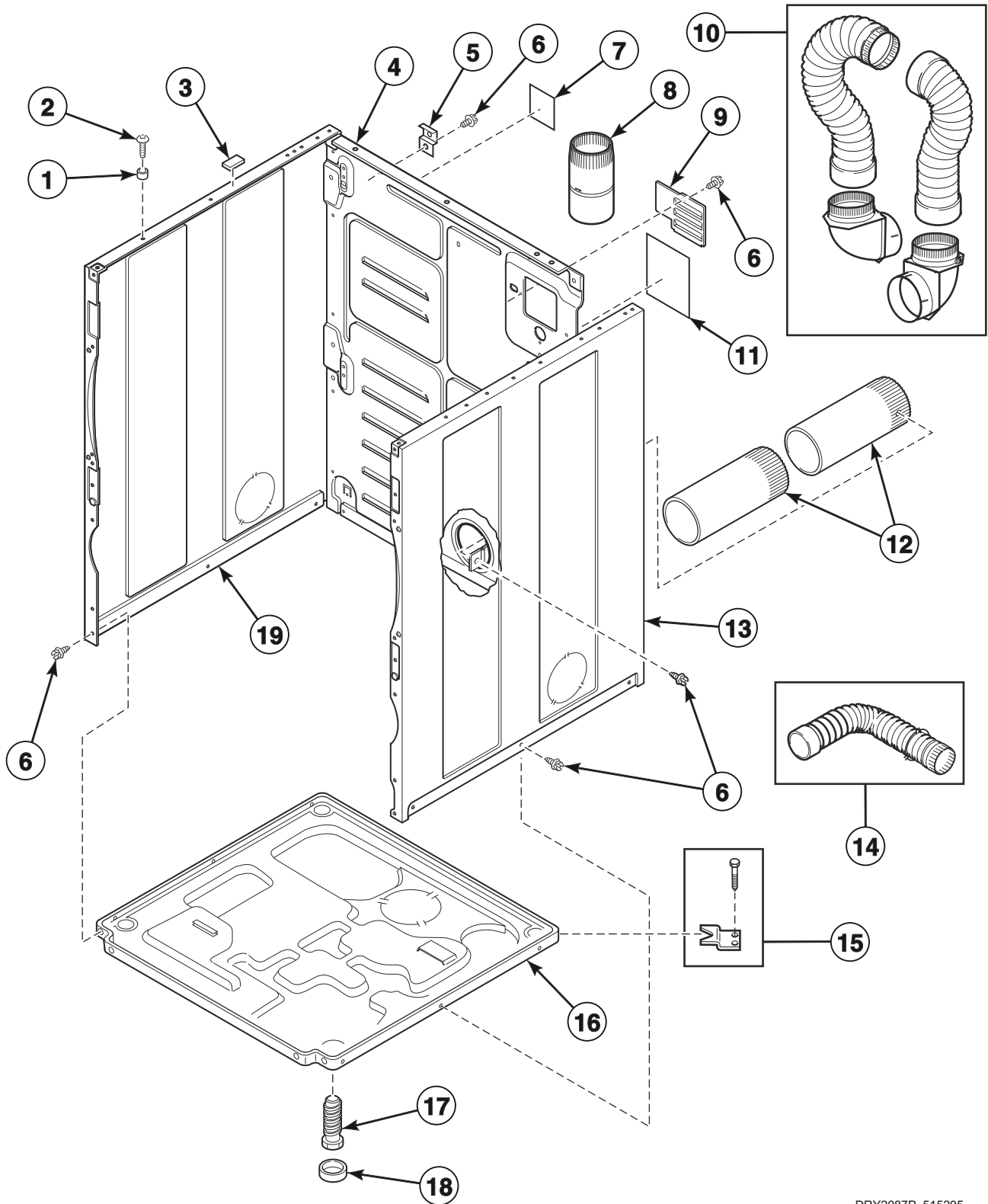


DRY2062P_515205

Gas Valve, Igniter and Gas Conversion Kits

REF	PART NO.	DESCRIPTION	COMMENTS
1	510204	Lead-In Pipe Assembly	
2	51782	Screw	
3	510184P	Igniter and Bracket Assembly	
4	23222	Screw	
5	510213	Sensor	
6	503688	Screw	
7	510149P	Burner Assembly	
8	458P3	L.P. Conversion Kit	2 required; Used to convert dryers from Natural Gas (N.G.) or Mixed Gas to Liquid Petroleum Gas (L.P.); For 25,000 Btu
9	459P3	N.G. Conversion Kit	2 required; Used to convert dryers from L.P. to N.G. or Mixed Gas; For 25,000 Btu
10	58804B	Secondary Coil	
11	60353P	Gas Valve Assembly	25,000 Btu; Includes items 10 and 14
12	56124	Screw	
13	510128	Gas Valve Mounting Bracket	
14	58804A	Booster and Holding Coil	
15	510205	Elbow Shut-Off Valve	

Cabinet, Exhaust Duct and Base



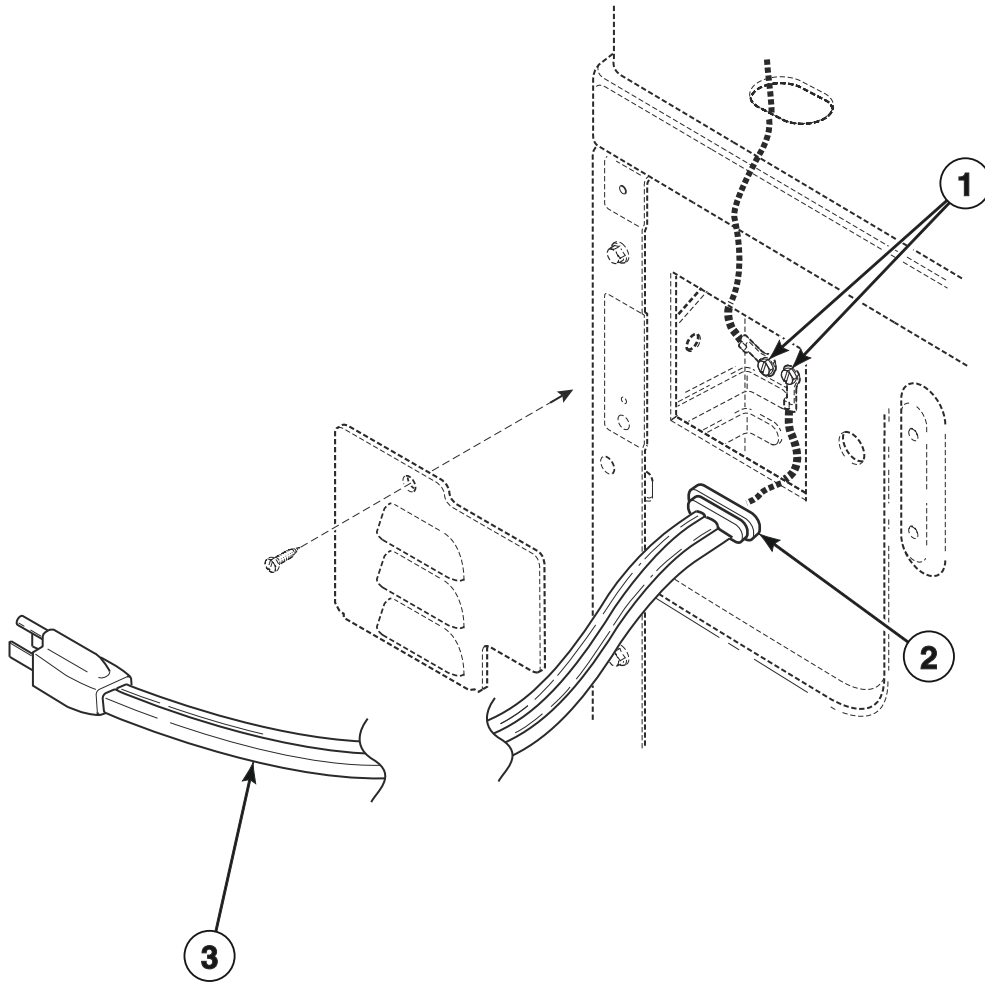
DRY2087P_515205

Cabinet, Exhaust Duct and Base

REF	PART NO.	DESCRIPTION	COMMENTS
	122P4P	Porcelain Touch-Up Paint	White
	370P4P	Porcelain Touch-Up Paint	Bisque
1	56079	Panel Locator	
2	39733	Screw	
3	56128	Bumper Pad	
4	510005P	Cabinet Rear Panel	
5	510136	Top Hinge	
6	503688	Screw	
7	511004	Gas Clearance Label	Gas models
8	58786	Damper	Use when connecting to a manifold vent system.
9	510903	Access Panel Plate	
10	521P3	Flexible Venting Kit	
11	511005	Electric Clearance Label	Electric models
12	510137	Exhaust Duct	Each dryer requires 2 pieces
13	510002WP	Cabinet Side Panel	White; Right
	510002QP	Cabinet Side Panel	Bisque; Right
14	528P3	Directional Exhaust Kit	Used to vent dryer out the sides or bottom
15	526P3	Hold Down Kit	For mobile home installations
16	513901	Dryer Base	
17	510135	Leveling Leg	
18	501855	Rubber Foot	
19	510001WP	Cabinet Side Panel	White; Left
	510001QP	Cabinet Side Panel	Bisque; Left

Power Cord

Gas Models

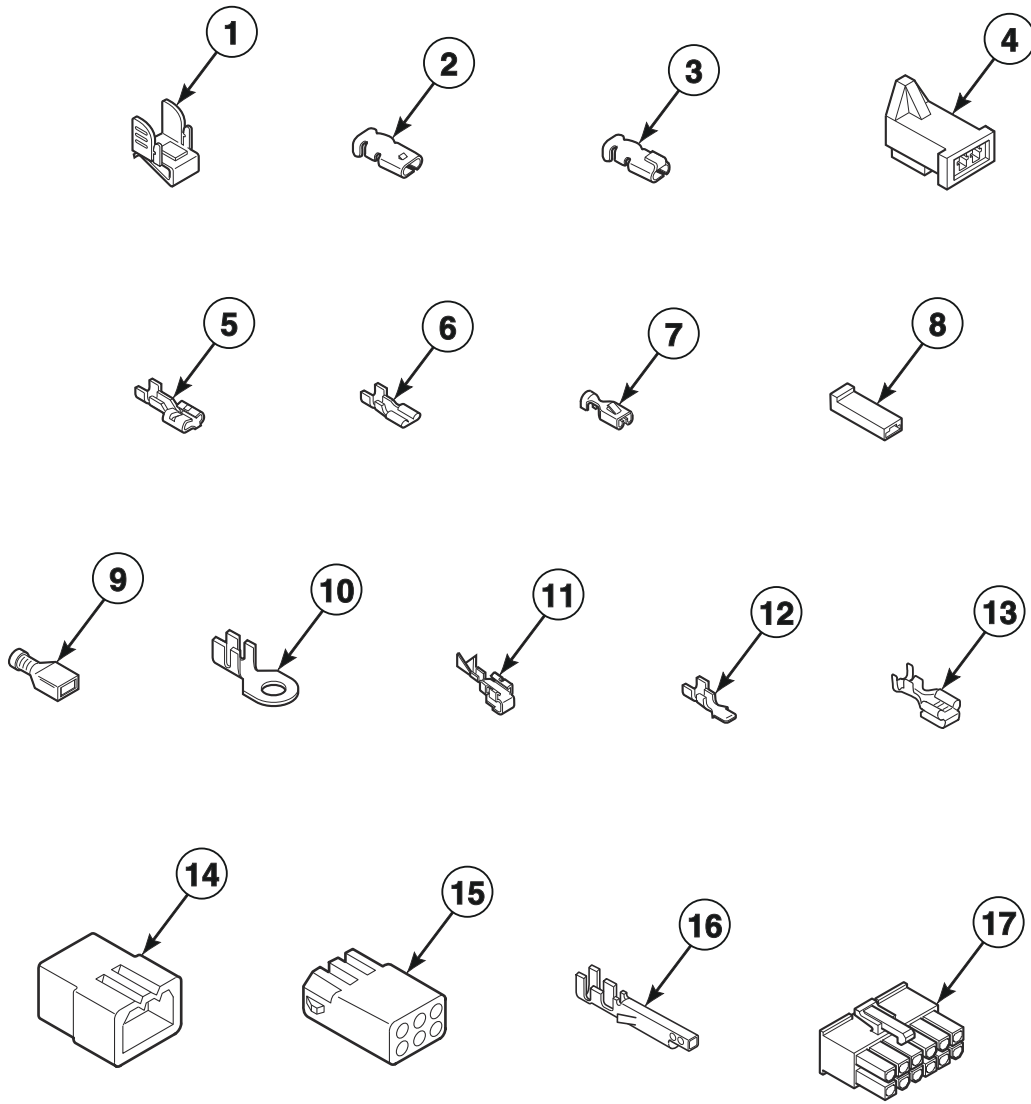


DRY1879P_515205

Power Cord

REF	PART NO.	DESCRIPTION	COMMENTS
1	20530	Screw	
2	38384	Strain Relief	
3	59308	Lead-In Cord	

Terminal Block and Terminals

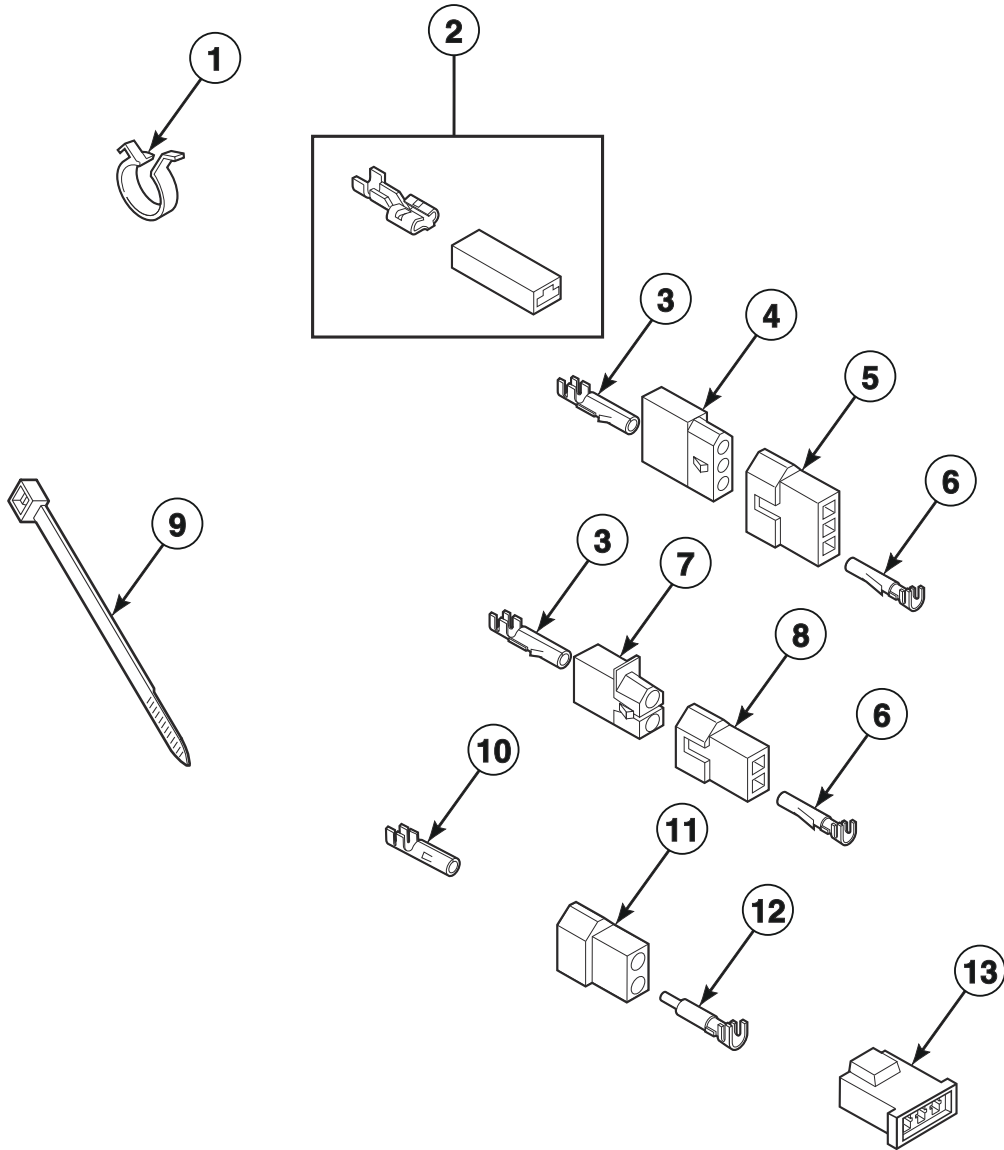


DRY2436P_515205

Terminal Block and Terminals

REF	PART NO.	DESCRIPTION	COMMENTS
1	00161	Grounding Clip	
2	00189	Female Spade Terminal	1/8 inch
3	00361	Female Piggyback Terminal	
4	58799	2 Circuit Connector	
5	00223	Female Spade Terminal	1/4 inch; (1) 18 gauge wire
	00121	Female Spade Terminal	1/4 inch; (2) 18 gauge wires or (1) 12 gauge wire
	00245	Spade Terminal	1/4 inch; (1) 22 gauge wire
6	00124	Female Spade Terminal	3/16 inch; (1) 18 gauge wire; .020 tab
7	00115	Female Spade Terminal	1/4 inch; (1) 18 gauge wire
8	90789	Receptacle Housing	
9	00359	Insulated Female Spade Terminal	1/4 inch
10	00110	Ring Terminal	No. 10; (1) 18 gauge wire
11	00114	Female Spade Terminal	1/4 inch; Double connector
12	00139	Male Tab Terminal	1/4 inch; (2) 18 gauge wires or (1) 12 gauge wire
13	00344	Female Tab Terminal	1/4 inch
14	23033	9 Circuit Plug	
15	26708	6 Circuit Receptacle	
16	00252	Terminal	
17	34596	10 Circuit Receptacle	
	501333	12 Circuit Receptacle	

Terminals

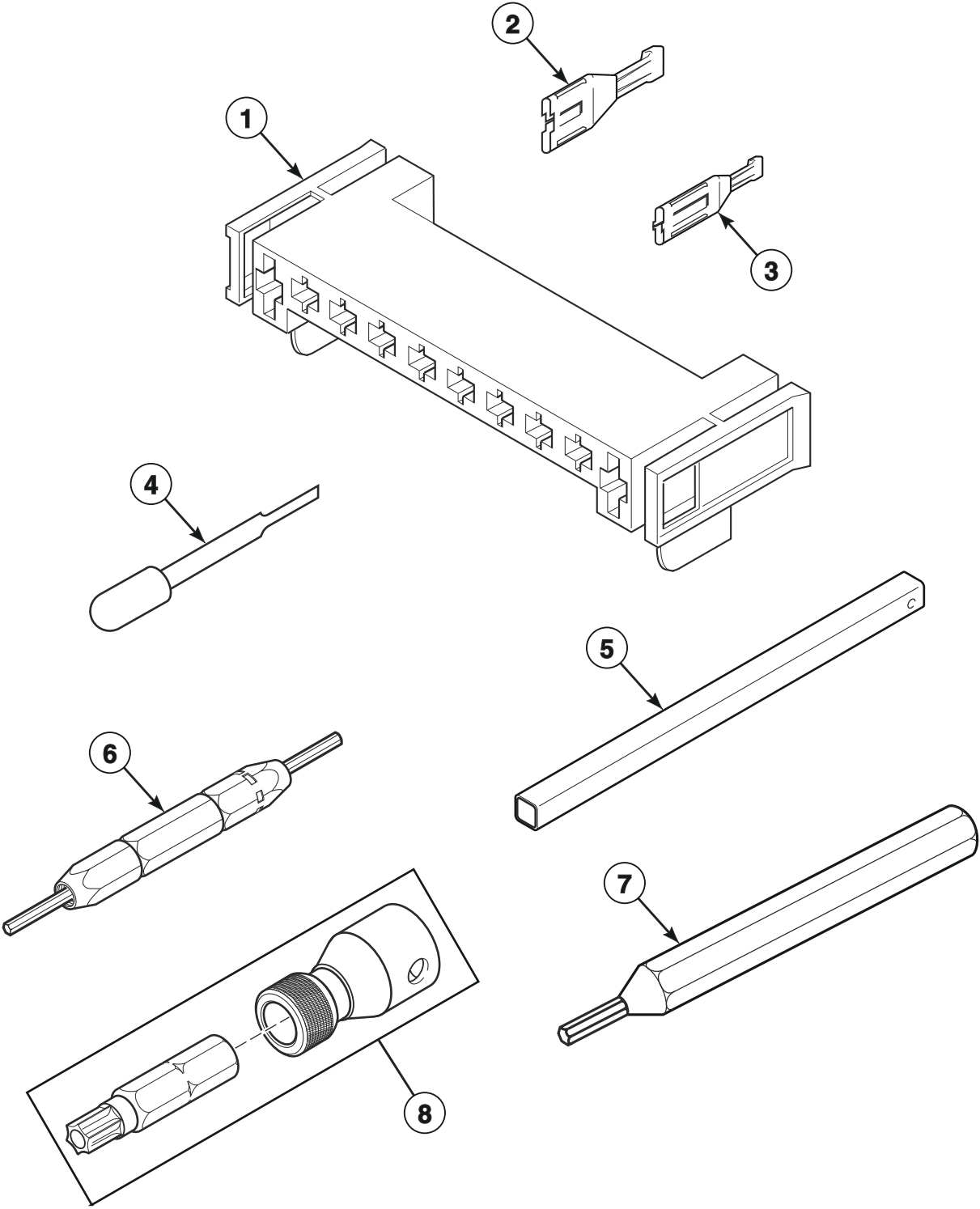


DRY1769P_515205

Terminals

REF	PART NO.	DESCRIPTION	COMMENTS
1	504034	Wire Clip	11/16 inch
	687500	Wire Clip	1 inch
2	00360	Insulated Female Spade Terminal	(1) 12 gauge wire or (2) 18 gauge wires
3	00117	Female Pin Terminal	
4	23039	3 Circuit Receptacle	
5	23040	Plug	
6	00116	Male Pin Terminal	
7	56451	2 Circuit Receptacle	
8	56448	2 Circuit Plug	
9	55881	Harness Strap	
10	00130	Female Pin Terminal	1/8 inch
11	56266	2 Circuit Plug	
12	00127	Male Pin Terminal	1/8 inch
13	58800	3 Circuit Connector	

Terminals and Terminal Extractor Tools



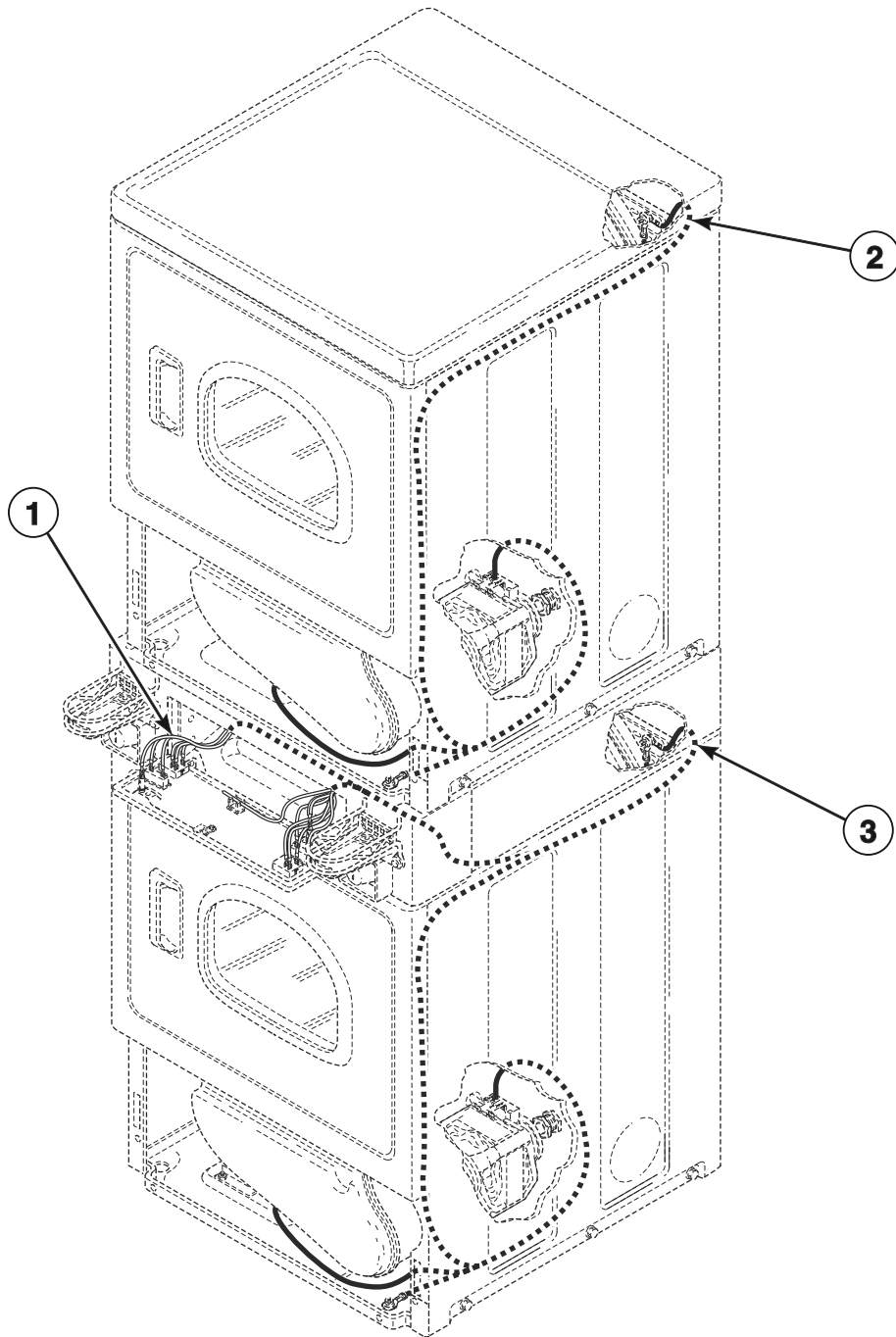
DRY2066P_515205

Terminals and Terminal Extractor Tools

REF	PART NO.	DESCRIPTION	COMMENTS
1	500338	10 Position Housing	
2	00255	Female Terminal	1/4 inch; (1) 12 gauge wire; Electric models
	00256	Female Terminal	1/4 inch; (1) or (2) 18 gauge wires
3	00188	Female Terminal	For 1 or 2 wire application
4	283P4	Terminal Extractor Tool	For use on Molex connectors
5	310P4	Ratchet Extension Tool	1/4 inch; For coin drop installation
6	190P4	Extractor Tool	For use on electric dryer terminals
7	128P4	Extractor Tool	For use on gas dryer terminals
8	281P4	Torx Bit	T15 Tamper Resistant Bit
	282P4	Torx Bit	Use with 62853 Screw on access panel; T25 Tamper Resistant Bit
	292P4	Torx Bit	T20 Standard Bit
	24161	Bit Holder	Use with 62853 Screw on access panel; 3/8 inch
	93501	Torx Drive Tool	T10 Standard Bit

Wire Harnesses and Wires - Nonmetered and Coin Slide Gas Models

Models BSGSXAGS111TW01, HSGSXAGW111TW01, JSGMNAGS111TW01, JSGSXAGS111TW01, SSGMNAGS111TW01, SSGSXAGS111TQ01, SSGSXAGS111TW01, SSGSXAGW111TW01 and USGMNAGS111TW01



DRY1912P_515205

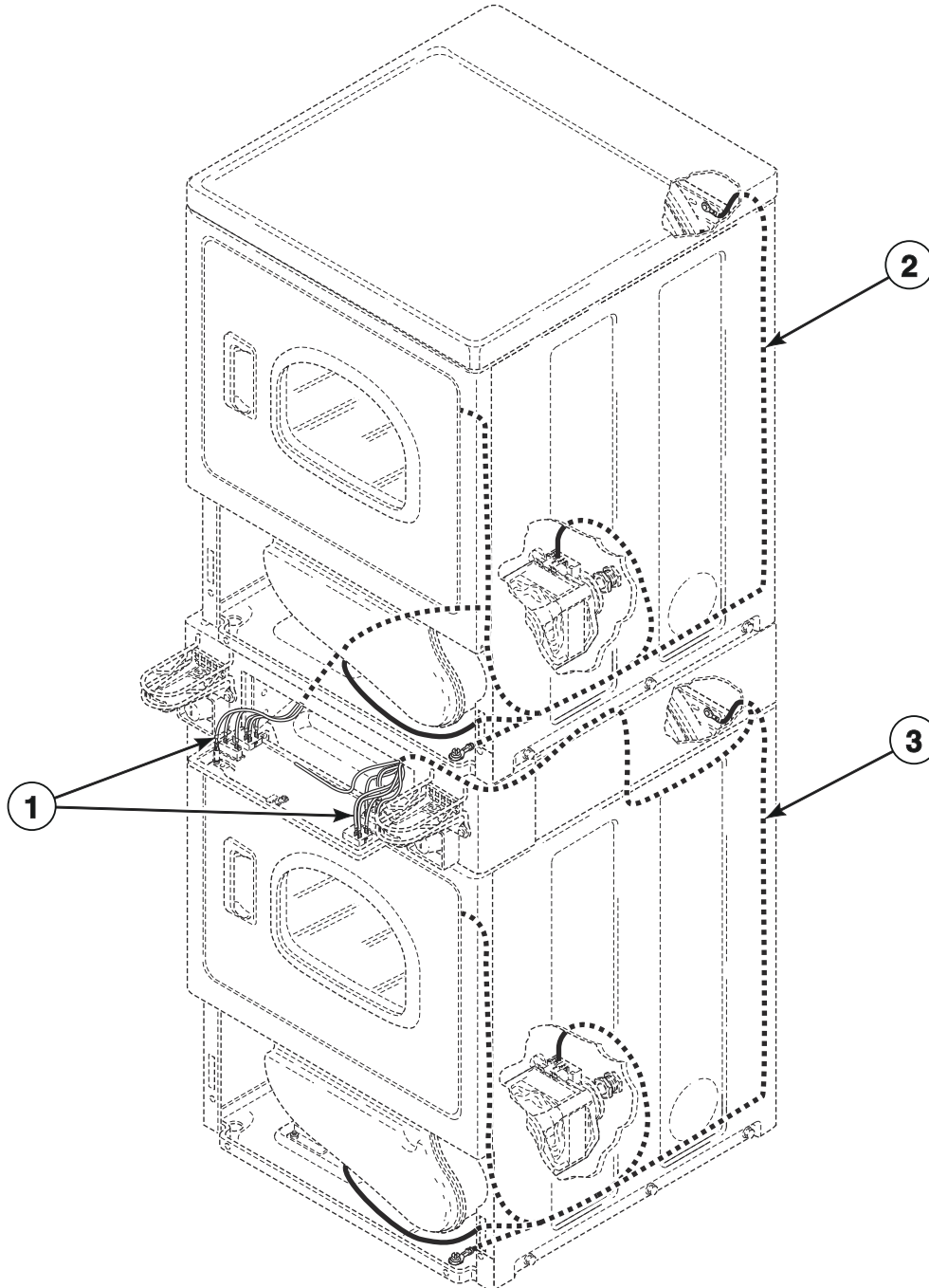
Wire Harnesses and Wires - Nonmetered and Coin Slide Gas Models

REF	PART NO.	DESCRIPTION	COMMENTS
	45001	18 Gauge Wire	Black; Order wire by foot; Order terminals and connectors as required
	45380	12 Gauge Wire	Orange; Order wire by foot; Order terminals and connectors as required
1	510655P	Security Cabinet Wire Harness Assembly	Models JSGMNAGS111TW01, SSGMNAGS111TW01 and USGMNAGS111TW01
2	510413P	Wire Harness Assembly	Upper; Models JSGMNAGS111TW01, SSGMNAGS111TW01 and USGMNAGS111TW01
	513833	Electronic Harness	Upper; Models BSGSXAGS111TW01, HSGSXAGW111TW01, JSGSXAGS111TW01, SSGSXAGS111TQ01, SSGSXAGS111TW01 and SSGSXAGW111TW01
3	512653	Wire Harness Assembly	Models JSGMNAGS111TW01, SSGMNAGS111TW01 and USGMNAGS111TW01
	513835	Electronic Harness	Lower; Models BSGSXAGS111TW01, HSGSXAGW111TW01, JSGSXAGS111TW01, SSGSXAGS111TQ01, SSGSXAGS111TW01 and SSGSXAGW111TW01

NOTE: Individual wires are not available separately. Order complete harness, or order wire by the foot. When applying terminals to wires, it is recommended that the terminals be soldered to the wires

Wire Harnesses and Wires - Nonmetered and Coin Slide Electric Models

Models BSESXAGS171TW01, HSESXAGW171TW01, JSEMNAAGS171TW01, JSESXAGS171TW01, SSEMNAAGS151TW01, SSEMNAAGS171TW01, SSESXAGS151TW01, SSESXAGS171TW01, SSESXAGW171TW01 and USEMNAAGS171TW01



DRY2287P_515205

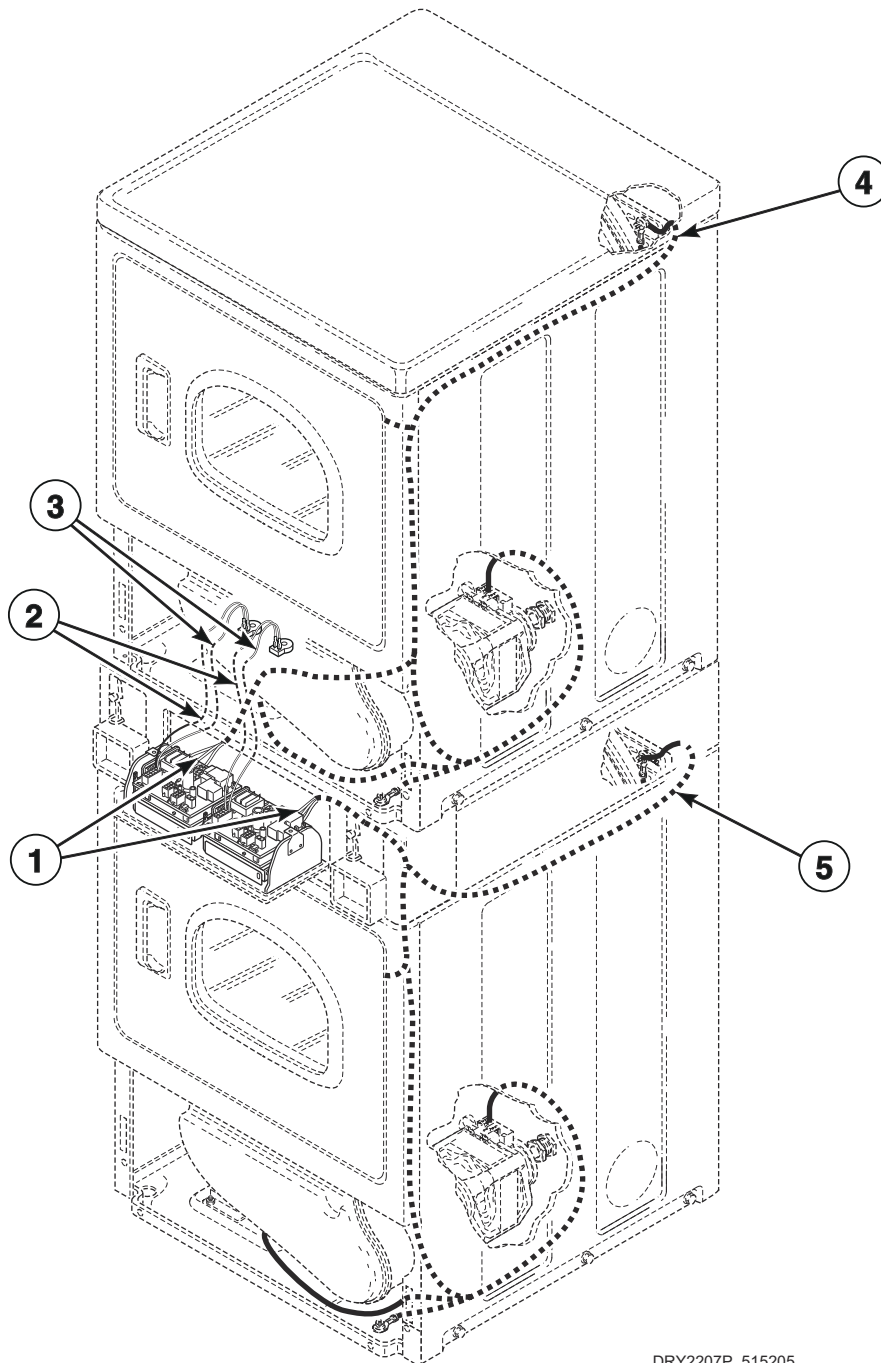
Wire Harnesses and Wires - Nonmetered and Coin Slide Electric Models

REF	PART NO.	DESCRIPTION	COMMENTS
	45001	18 Gauge Wire	Black; Order wire by foot; Order terminals and connectors as required
	45380	12 Gauge Wire	Orange; Order wire by foot; Order terminals and connectors as required
1	510654P	Security Cabinet Wire Harness Assembly	Models JSEMNA GS171TW01, SSEMNA GS151TW01, SSEMNA GS171TW01 and USEMNA GS171TW01
2	514094	Electronic Harness	Upper; Models BSESXAGS171TW01, HSESXAGW171TW01, JSESXAGS171TW01, SSESXAGS151TW01, SSESXAGS171TW01 and SSESXAGW171TW01
	514084	Harness Assembly	Upper; Models JSEMNA GS171TW01, SSEMNA GS151TW01, SSEMNA GS171TW01 and USEMNA GS171TW01
3	514096	Electronic Harness	Lower; Models BSESXAGS171TW01, HSESXAGW171TW01, JSESXAGS171TW01, SSESXAGS151TW01, SSESXAGS171TW01 and SSESXAGW171TW01
	514086	Harness Assembly	Models JSEMNA GS171TW01, SSEMNA GS151TW01, SSEMNA GS171TW01 and USEMNA GS171TW01

NOTE: Individual wires are not available separately. Order complete harness, or order wire by the foot. When applying terminals to wires, it is recommended that the terminals be soldered to the wires

Wire Harnesses and Wires - Coin Drop and Card Reader Gas Models

Models BSGBCAGS111TW01, BSGBYAGS111TW01, HSGBCAGW111TW01, HSGBYAGW111TW01,
SSGBCAGS111TW01, SSGBCAGW111TW01, SSGBXAGS111TW01, SSGBXAGW111TW01,
SSGBYAGS111TW01 and SSGBYAGW111TW01



DRY2207P_515205

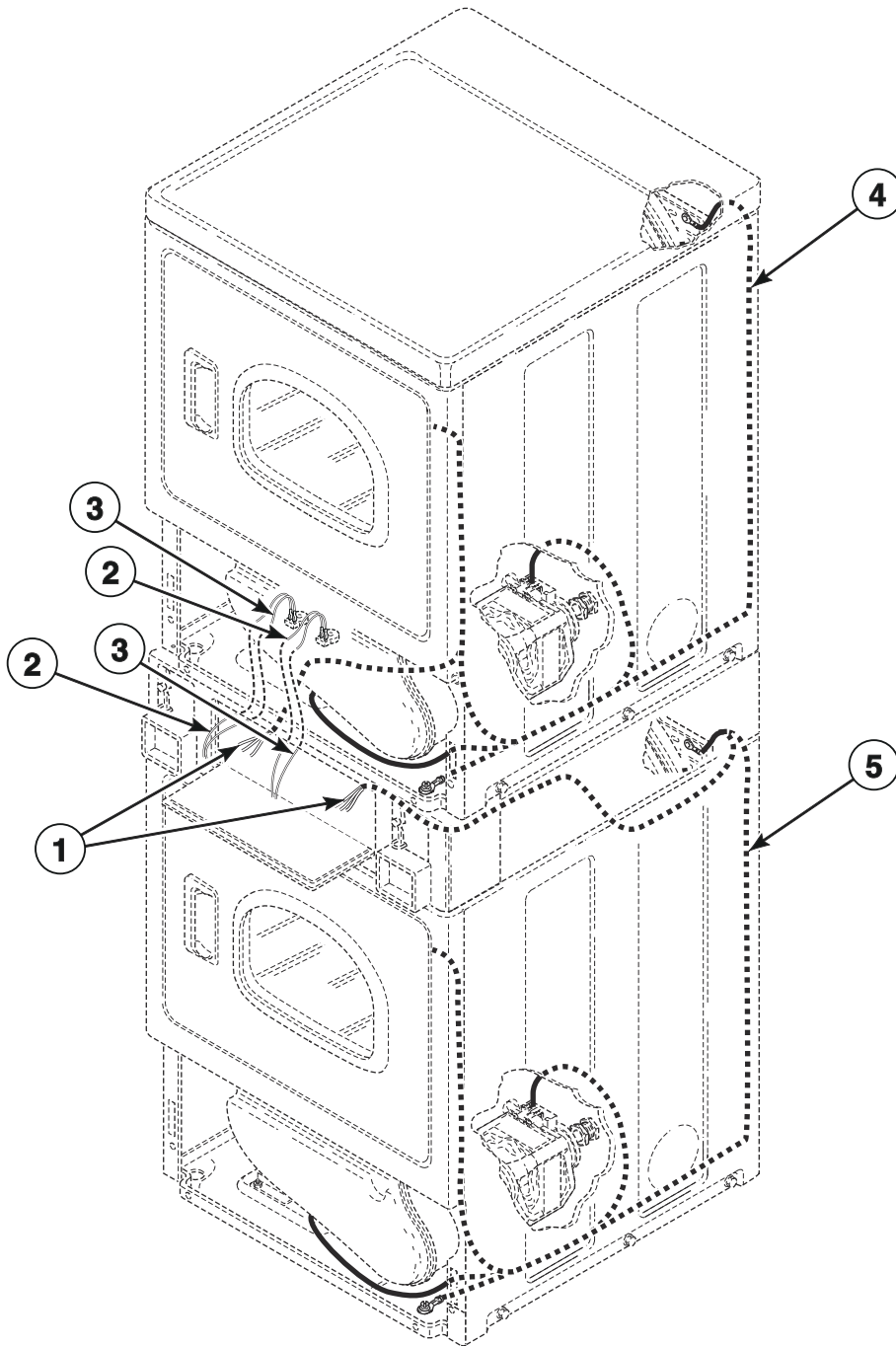
Wire Harnesses and Wires - Coin Drop and Card Reader Gas Models

REF	PART NO.	DESCRIPTION	COMMENTS
	45001	18 Gauge Wire	Black; Order wire by foot; Order terminals and connectors as required
	45380	12 Gauge Wire	Orange; Order wire by foot; Order terminals and connectors as required
1	512422P	Wire Harness Assembly	
2	512273P	Wire Configuration Assembly	
3	512275P	Wire Configuration Assembly	
4	513833	Electronic Harness	Upper
5	513835	Electronic Harness	Lower

NOTE: Individual wires are not available separately. Order complete harness, or order wire by the foot. When applying terminals to wires, it is recommended that the terminals be soldered to the wires.

Wire Harnesses and Wires - Coin Drop and Card Reader Electric Models

Models BSEBCAGS171TW01, BSEBYAGS171TW01, HSEBCAGW171TW01, HSEBYAGW171TW01,
SSEBCAGS151TW01, SSEBCAGS171TW01, SSEBCAGW151TW01, SSEBCAGW171TW01,
SSEBXAGS171TW01, SSEBYAGS151TW01, SSEBYAGS171TW01 and SSEBYAGW171TW01



DRY2288P_515205

Wire Harnesses and Wires - Coin Drop and Card Reader Electric Models

REF	PART NO.	DESCRIPTION	COMMENTS
	45001	18 Gauge Wire	Black; Order wire by foot; Order terminals and connectors as required
	45380	12 Gauge Wire	Orange; Order wire by foot; Order terminals and connectors as required
1	512422P	Wire Harness Assembly	
2	512273P	Wire Configuration Assembly	
3	512275P	Wire Configuration Assembly	
4	514094	Electronic Harness	Upper
5	514096	Electronic Harness	Lower

NOTE: Individual wires are not available separately. Order complete harness, or order wire by the foot. When applying terminals to wires, it is recommended that the terminals be soldered to the wires.

Parts Index

A

Access Panel and Guard Assembly 514252W	27
Access Panel Assembly 514250Q	27
514250WP	27
Access Panel Plate 510903	41
Adhesive 511637P	31, 33
Air Duct Assembly 510151LG	31
510151W	31
Anti-Seize Compound 27604P	29

B

Bit Holder 24161	49
Blower and Fan Kit 510717P	29
Blower Fan Assembly 510139P	29
Blower Housing 511969WP	29
Blower Housing Seal 510238P	29
Bolt 29651	7, 13
Booster and Holding Coil 58804A	39
Bracket 803662	9
Bumper Pad 56128	41
Burner Assembly 510149P	39

C

Cabinet Rear Panel 510005P	41
Cabinet Side Panel 510001QP	41
510001WP	41
510002QP	41
510002WP	41
Card Insert Overlay 514391	19
Clip 201572	17
Coin Drop 38963P	15
70441601P	15

Coin Drop Assembly 38462P	15
38463	15
38464P	15
38475	15
Coin Drop Kit CK077	15
Coin Drop Wire Harness 201104	17
Coin Funnel Kit 523P3	7
Coin Identification Paper 38725	17
Coin Slide Extension Kit 514228	9
Coin Slide Guard 514726	7
Combustion Duct 510131	37
510132	37
Connector, 2 Circuit 58799	45
Connector, 3 Circuit 58800	47
Control Assembly 511867P	11
513139P	7
514273	11
Control Overlay 514668	11
515058	11
Control Panel 514711W	5
514724Q	7
514724W	7
803964	13
Control Panel and Bracket Assembly 500228Q	7
500228W	5, 7
513778W	11
Cylinder Assembly 510265LGP	31
510265WP	31
Cylinder Baffle 510102LG	31
510102W	31
Cylinder Belt 511255P	29
Cylinder Glide 513710	31
Cylinder Glide Bracket 510145	31
Cylinder Roller 510708P	33
Cylinder Roller Bracket 510100	33
Cylinder Seal Assembly 510207P	31, 33

N/A items do not appear in index.

D

Damper	
58786	41
Diagnostic Wire Harness Assembly	
800374	11
Directional Exhaust Kit	
528P3	41
Door and Liner Assembly	
511636WP	25
Door Catch Assembly	
510177	27
Door Handle Wedge	
510129LG	23, 25
510129W	23, 25
Door Liner Grill	
503870LG	25
503870W	25
Door Pull and Wedge Kit	
510103QP	23
510103WP	23, 25
Door Strike	
510181	23, 25
Door Strike Mount	
510127	23, 25
Dryer Base	
513901	41
Dryer Door	
510013QP	23
510013WP	23
510082WP	25
Dryer Door Assembly	
514114W	25
Dryer Door Window	
503982P	25

E

Elbow Shut-Off Valve	
510205	39
Electric Clearance Label	
511005	41
Electronic Coin Drop Kit	
CK115	17
Electronic Harness	
513833	51, 55
513835	51, 55
514094	53, 57
514096	53, 57
Ethernet Gateway Kit	
NK320	11
Exhaust Duct	
510137	41
Expansion Clip	
70030501	5, 7, 13, 19
Extractor Tool	
128P4	49
190P4	49

F

Fabric Selector Switch	
61512	5
Felt Pad	
510189	31
Female Piggyback Terminal	
00361	45
Female Pin Terminal	
00117	47
00130	47
Female Spade Terminal	
00114	45
00115	45
00121	45
00124	45
00189	45
00223	45
Female Tab Terminal	
00344	45
Female Terminal	
00188	49
00255	49
00256	49
Flexible Venting Kit	
521P3	41
Front Bulkhead Assembly	
510061	31
Front Panel	
510066LP	27
510066QP	27
510066WP	27
Front Panel Assembly	
513781W	27
Front Panel Seal	
511056	27

G

Gas Clearance Label	
511004	41
Gas Valve Assembly	
60353P	39
Gas Valve Mounting Bracket	
510128	39
Glass Door Window	
513910	25
Glide Kit	
RB170003	31
Grounding Clip	
00161	45

H

Harness Assembly	
514084	53
514086	53
802904P	15
802905	17
Harness Strap	
55881	47

N/A items do not appear in index.

Heat Duct Shroud 510101	37
Heater 510325P	35
Heater Assembly 510329P	35
Heater Duct and Screw Assembly 510025P	35, 37
Heater Kit 964P3	35
Heater Kit Assembly 61928	35
Hinge 511036	23, 25
Hinge Hole Plug 510186	27
Hold Down Kit 526P3	41
Housing, 10 Position 500338	49

I

Idler Lever 510133	29
Idler Lever and Wheel Assembly 510158	29
Idler Spring 510185	29
Idler Wheel and Bearing Assembly 510142P	29
Igniter and Bracket Assembly 510184P	39
Instructions for Use Label 500498	27
Insulated Female Spade Terminal 00359	45
00360	47

K

Key 54612	5, 7, 11
--------------------	----------

L

Lead-In Cord 59308	43
Lead-In Pipe Assembly 510204	39
Leveling Leg 510135	41
Light 32464	5
801431	7
Limit Thermostat 510701	35
510702	37
Liner and Seal Assembly 510098LG	25

510098W	25
Liner Door Seal 510147P	23, 25
Liner, Seal and Grill Assembly 510163WP	23
513109P	23
Lint Filter 503980LG	31
503980W	31
Lock Cam 804338	5, 7, 11
Lock Kit 27260P	5, 7, 11
L.P. Conversion Kit 458P3	39

M

Male Pin Terminal 00116	47
00127	47
Male Tab Terminal 00139	45
Meter Case Assembly 804009W	13
804011Q	7
804011W	7
Motor and Pulley Assembly 511629P	29
Motor Hub Ring Kit 590P3	29
Motor Mount 510060	29
Motor Mount Clamp 510180	29
Motor Pulley 500011	29
Mounting Tool Kit CK096	17

N

Network Controller Kit NK220	11
Network Retrofit Kit 203328	11
Nut 201216	17
24205	5, 7
28447	33
29786	15
29796	7
44071201	25
44087201	7
52566	29
52947	5, 7
56156	29, 33
N.G. Conversion Kit 459P3	39

N/A items do not appear in index.

O

Opto Coupler	
200674P	15
Outlet Cover	
500820	35, 37
Overlay	
512678	5, 7
514371	5, 7
514665	11
514667	7
514669	7
514670	5
514873	19
515245	5, 7

P

Panel Locator	
56079	27, 41
Plug	
23040	47
Plug, 2 Circuit	
56266	47
56448	47
Plug, 9 Circuit	
23033	45
Porcelain Touch-Up Paint	
122P4P	41
370P4P	41

R

Ratchet Extension Tool	
310P4	49
Rear Access Panel	
803998	5, 7, 13, 19
Rear Bulkhead Assembly	
510041	33
Receptacle Housing	
90789	45
Receptacle, 10 Circuit	
34596	45
Receptacle, 12 Circuit	
501333	45
Receptacle, 2 Circuit	
56451	47
Receptacle, 3 Circuit	
23039	47
Receptacle, 6 Circuit	
26708	45
Resistor	
210100	11
Retaining Ring	
23748	29, 33
Ring Terminal	
00110	45
Roller Kit	
RB170002	33
Rubber Foot	
501855	41

N/A items do not appear in index.

S

Screw	
20530	43
23222	35, 39
27328	5, 7
28448	33
31260	29
33562	27
36048	21
39733	27, 41
500226	25
500824	29
501285	31, 33
501524	11
502431	5
502535	29
503661	21
503688	5, 7, 11, 13, 19, 21, 27, 29, 31, 33, 35, 37, 39, 41
505295	23, 25, 31
505870	25
51782	37, 39
52864	31
56124	39
61199	33
62588	31
62853	27
70240301	5, 7, 13, 19
Seal Kit	
RB170001	31, 33
Secondary Coil	
58804B	39
Security Cabinet Front Assembly	
804147W	19
Security Cabinet Wire Harness Assembly	
510654P	53
510655P	51
Sensor	
510213	39
Shaft	
56461P	29, 33
Shield Bracket	
804018	5, 7, 11
Single Overlay	
38717	13
Slide Extension Kit	
201915	7
Spade Terminal	
00245	45
Speed Clip	
28835	27
Strain Relief	
38384	43
Switch	
512973	7, 13, 27
514105	9
Switch Assembly	
55882	5, 7
Switch Knob	
39897	5, 7

T

Temperature Selector Switch	
511711	7
Terminal	
00252	45
Terminal Block Assembly	
510190P	33
Terminal Block Shield	
510237	33
Terminal Extractor Tool	
283P4	49
Thermal Fuse Assembly	
511412	35
Thermistor Assembly	
510523	29
Thermostat	
510703	37
512005	29
Timer	
510524P	5
Timer Knob	
54678	5
Timer Overlay	
514710	5
Top Hinge	
510136	21, 41
Top Kit	
510032QP	21
510032WP	21
Torx Bit	
281P4	49
282P4	49
292P4	49
Torx Drive Tool	
93501	49
Transformer	
201375P	11
201587P	7
210018P	11

U

USB Gateway Kit	
NK330	11
USB IR Interface Kit	
203346	11

W

Warning/Caution Label	
500281	27
Washer	
03815	7
25820	5, 7
28449	33
501307	21
504082	33
52549	29, 33
91176	5, 7

Window Clip	
513958	25
Window Trim	
503981W	25
513960W	25
Wire Assembly	
510527	35
510528	35
Wire Clip	
504034	47
687500	47
Wire Configuration Assembly	
512273P	55, 57
512275P	55, 57
Wire Guard	
201595P	15
Wire Harness Assembly	
510413P	51
512422P	11, 55, 57
512653	51
Wireless Network Kit	
203327	11
Wire, 12 Gauge	
45380	51, 53, 55, 57
Wire, 18 Gauge	
45001	51, 53, 55, 57
Wrapper Assembly	
804104Q	7
804104W	7, 13
804112W	5, 19
